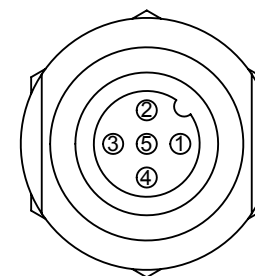



FUNCTION	PIN	WIRE COLOR	GAUGE	NOTES
ROTATE CW	1	WHITE/BLACK	18	TO GROUND
	2	BLACK	18	TO PIN 1 (BLACK PLUG)
ROTATE CCW	1	WHITE/BLACK	18	TO GROUND
	2	BLUE/BLACK	18	TO PIN 2 (BLACK PLUG)
HOIST UP	1	RED/WHITE	18	TO PIN 3 (BLACK PLUG)
	2	GREEN/BLACK	18	TO GROUND
HOIST DN	1	BLACK/WHITE	18	TO PIN 4 (BLACK PLUG)
	2	WHITE	18	TO GROUND
BOOM UP	1	WHITE	18	TO PIN 5 (BLACK PLUG)
	2	BLUE	18	TO GROUND
BOOM DN	1	RED	18	TO PIN 6 (BLACK PLUG)
	2	BLUE	18	TO
EXTEND	1	ORANGE	18	TO PIN 10 (GREY PLUG)
	2	GREEN/WHITE	18	TO GROUND
RETRACT	1	GREEN	18	TO PIN 12 (GREY PLUG)
	2	YELLOW	18	TO GROUND
A2B SWITCH	1	WHITE/RED	18	TO PIN 2 (PRESS SW)
	2	WHITE	18	PWR IN
PRESSURE SWITCH	1	BLACK	18	TO PIN 12 (BLACK PLUG)
	2	WHITE/RED	18	TO PIN 1 (A2B SW)
ROTATE SWITCH	1	WHITE	18	TO PIN 10 (BLACK PLUG)
	2	BLACK	18	TO PIN 6 (GREY PLUG)
	3	BLACK	18	TO PIN 2 (ROTATE SW)
	4	GREEN	18	TO PIN 1 (GREY PLUG)
PROPORTIONAL VALVE	1	BLACK	18	TO GROUND
	2	WHITE	18	TO PIN 4 (GREY PLUG)
PENDANT PLUG	1	BROWN	20	TO PIN 8 (BLACK PLUG)
	2	WHITE	20	TO PIN 6 (GREY PLUG)
	3	BLUE	20	TO PIN 7 (BLACK PLUG)
	4	BLACK	20	TO GROUND
	5	GREY	20	TO GROUND
BLACK RECEIVER PLUG	1	BLACK	18	TO PIN 2 (CW)
	2	BLUE/BLACK	18	TO PIN 2 (CCW)
	3	RED/WHITE	18	TO PIN 1 (HU)
	4	BLACK/WHITE	18	TO PIN 1 (HD)
	5	WHITE	18	TO PIN 1 (BU)
	6	RED	18	TO PIN 1 (BD)
	7	BLUE	20	TO PIN 3 (PENDANT PLUG)
	8	BROWN	20	TO PIN 1 (PENDANT PLUG)
	9	-	-	-
	10	WHITE	18	TO PIN 1 (ROTATE SW)
	11	GREEN	18	TO AUX
	12	BLACK	18	TO PIN 1 (PRESSURE SW)
GREY RECEIVER PLUG	1	GREEN	18	TO PIN 4 (ROTATE SW)
	2	-	-	-
	3	BLACK	18	TO BATTERY (-) / GROUND
	4	WHITE	18	TO PIN 2 (PROPORTIONAL)
	5	-	-	-
	6	RED	18	TO BATTERY (+) / PIN 2 (ROTATE SW) / PIN 2 (PENDANT PLUG)
	7	-	-	-
	8	WHITE	18	TO ENG SLOW/FAST
	9	BLUE	18	TO ENG START
	10	ORANGE	18	TO PIN 1 (EXT)
	11	ORANGE	18	TO ENG STOP
	12	GREEN	18	TO PIN 1 (RET)

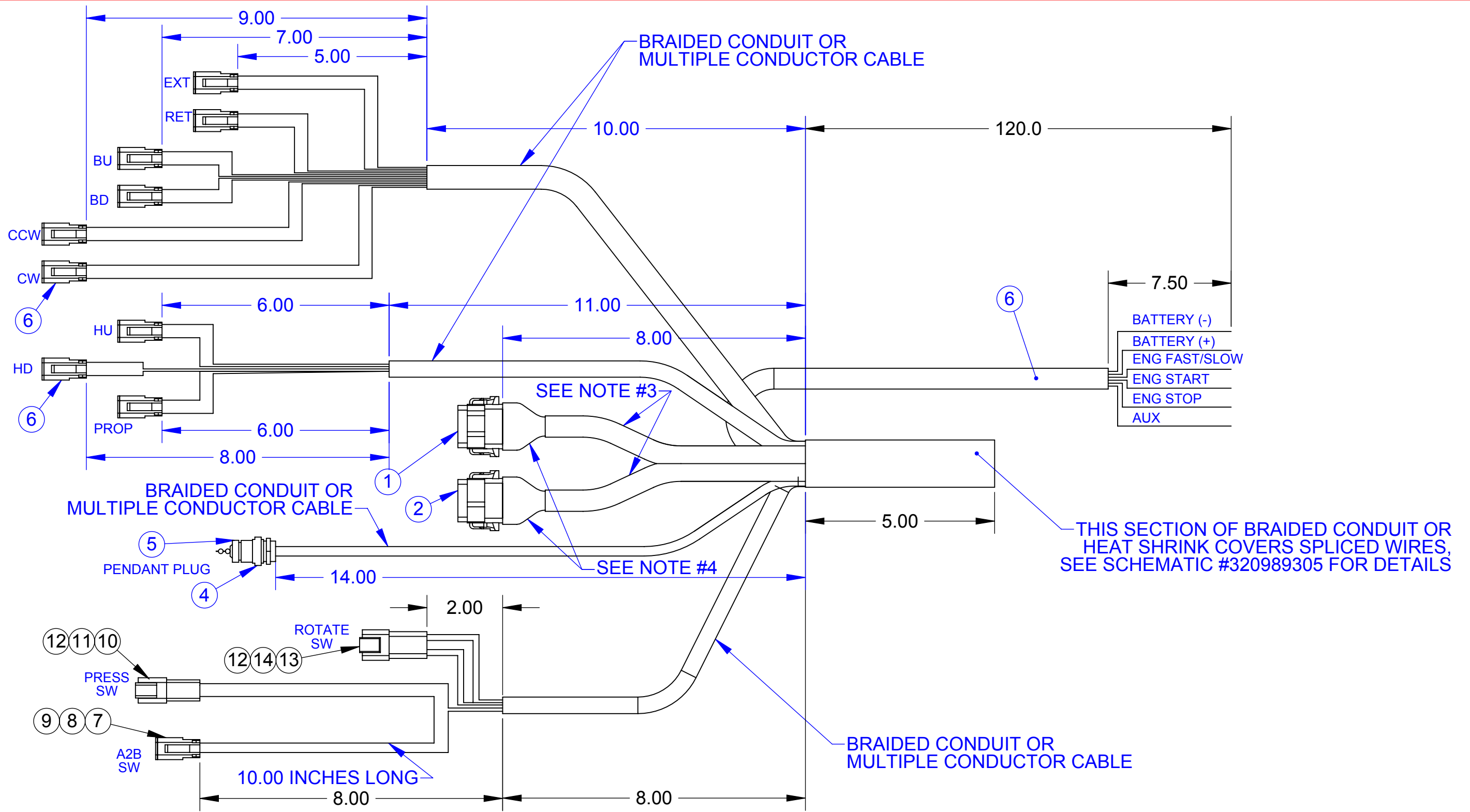
REVISION				
ECN#	LTR	DESCRIPTION	DATE	REV'D
1338	A	PRODUCTION RELEASE; ADDED 366376001, 366376002; REROUTED CABLES	02/06/07	WA



**PENDANT PLUG**  
(680164000)  
FRONT VIEW

BOM REVS	ITEM NO.	QTY	PART NUMBER	DESCRIPTION
	1	1	680163000	HOUSING, CONNECTOR DEUTSCH 12 PIN (GRAY)
	2	1	680163002	HOUSING, CONNECTOR DEUTSCH 12 PIN
	3	20	680163001	CONTACT, DEUTSCH (FORMED)
	4	1	680164000	PENDANT PLUG (OMNEX)
	5	1	680164001	COVER, RECEPTACLE PEND. PLUG (OMNEX)
	7	10	366367001	HOUSING, DEUTSCH 2-PIN PLUG
	8	10	366367002	WEDGE, DEUTSCH PLUG, 2 PIN
	9	24	366367003	CONTACT, DEUTSCH SOCKET
	10	1	360769001	HOUSING, DEUTSCH 2-PIN RECEPTACLE
	11	1	360769002	WEDGE, DEUTCH 2-PIN RECEPTACLE
	12	6	366376003	CONTACT, DEUTSCH
	13	1	366376001	DEUTSCH DT04-4P
	14	1	366376002	WEDGE, DEUTCH 4-PIN RECEPTACLE

UNLESS OTHERWISE NOTED ALL DIMENSIONS ARE IN INCHES.		DRAWN BY WA	 4707 NORTH MINGO ROAD P.O. BOX 580697 TULSA, OKLAHOMA 74158-0697 918-836-0463
TOLERANCES UNLESS OTHERWISE SPECIFIED. .X ± .060 ANGLES ± 1/2° .XX ± .030 FRACTIONAL ± 1/16 .XXX ± .010		DATE 01/09/07	
REMOVE ALL BURRS AND SHARP EDGES. DO NOT SCALE THIS DRAWING. TOLERANCES NOT SHOWN ABOVE ARE PER ANSI Y14.5-1973		CHK'D BY	TITLE MAIN HARNESS ASSEMBLY 3203H FM
THIS PRINT IS THE PROPERTY OF AUTO CRANE CO. AND MUST NOT BE USED IN ANY MANNER DETRIMENTAL TO THEIR INTERESTS.		DATE	DO NOT SCALE DRAWING
NEXT ASSY		ENG. BY	SCALE: NONE
		DATE	SIZE B
			DRAWING NO. 320989304
			REVISION A
			WEIGHT N/A
			SHEET 1 OF 2



**NOTES:**

1. LABEL ALL NOTES PER FUNCTION IDENTIFICATION.
2. ONLY 1 CONDUCTOR THROUGH EACH HOLE IN RUBBER SEAL ON PLUGS.
3. BRAIDED CONDUIT OR HEAT SHRINK.
4. PLUG ALL UNUSED PIN HOLES AND USE RUBBER BOOTS OVER DEUTSCH PLUGS, BRAIDED CONDUIT OR HEAT SHRINK MUST COVER BOOTS BY 1/4".
5. HARNESS TO BE TAGGED WITH PART NUMBER AND REVISION LEVEL, COMPLETION DATE AND OPERATOR NUMBER, USE TICKET-1.
6. WIRE TYPE IS NO. 073 (GXL).

DRAWN BY WA	SCALE: DO NOT SCALE DRAWING NONE	SIZE B	DRAWING NO. 320989304	REVISION A
DATE 01/09/07	TITLE MAIN HARNESS ASSEMBLY 3203H FM		SHEET 2 OF 2	