



A Ramsey Industries Brand

## Auto Crane Price List

January 2025 Edition

1/20/2025

Prices: All prices in U.S. dollars. All prices are EX-WORKS - Tulsa, OK. **Prices and specifications are subject to change without notice.** All list prices are "not installed" unless noted otherwise.

Installation: Factory installed prices are based upon Auto Crane "standard" placement of certain options. Special configurations may be available at additional costs.

Cancellation:

Orders cancelled within 60 days prior to the scheduled ship date will be subject to a 25 percent restocking charge. Cancellation of orders for other than standard units will be subject to cancellation charges if received less than 90 days prior to scheduled ship date. There will be a 100 percent cancellation charge for any items such as paint or other non-standard products which have been ordered or produced by Auto Crane to satisfy a customer order.

There is a separate price list available for parts only.

Auto Crane Company  
PO Box 581510  
Tulsa, OK 74158  
Phone: (800) 777-2760  
[www.autocrane.us](http://www.autocrane.us)

## Table of Contents

Cranes .....	2 - 21
EC-2-5' .....	2
EC-2-7' .....	3
EC-2X .....	4
EHC-3.2 .....	5
HC-3.2 .....	6
EHC-4-16' .....	7
EHC-4-20' .....	8
EHC-5 .....	9
HC-5 .....	10
EHC-6 .....	11
HC-6 .....	12
HC-7 .....	13
HC-7X .....	14
HC-8 .....	15
HC-8X .....	16
8406H .....	17
HC-10 .....	18
HC-12S .....	19
HC-12 .....	20
HC-14 .....	21
Crane Accessories .....	22 - 23
NexStar Benefits .....	24
Bodies .....	25- 76
Titan 16 - 9' .....	25 - 29
Titan 16 - 11' .....	30 - 35
Titan 38 - 9' .....	36 - 42
Titan 38 - 11' .....	43 - 51
Titan 60 - 11' .....	52 -61
Titan 85 - 11' .....	62 - 70
Titan 85 - 14' .....	71 - 79
Titan Connect .....	80
Power On Demand .....	81
Accessory Pictures .....	82
Compressors & All-In-Ones .....	83 - 86
Welders .....	87
Warranty .....	88 - 91

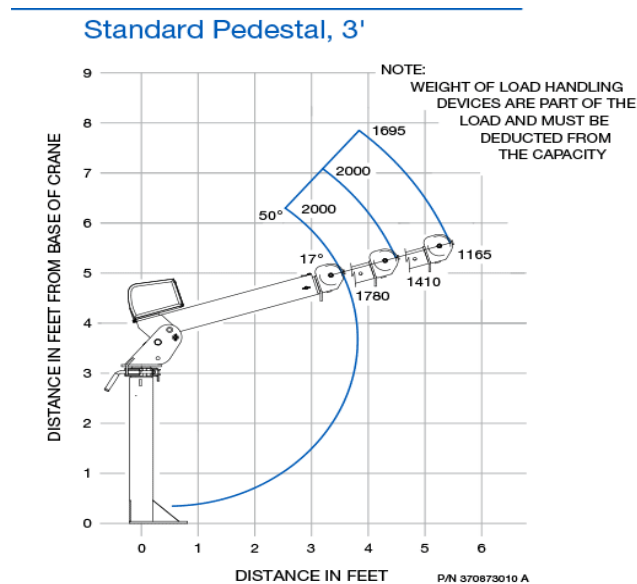
## EC-2 Cranes – 5' Boom

### Standard Features

- 10 ft Hard-Wired Control
- Comprehensive 2-year warranty starting at in-service
- Power rotation
- Tall pedestal

### Specifications

- Capacity: 2,000 lb
- Rating: 6,500 ft-lb
- Reach: 5 ft
- Rotation: 355° power rotation
- Cable: 25 ft of 1/4"
- Chassis GVW: 5,200 lb min
- Weight: 230 lbs
- Boom Angle: 17° to 50°
- Hoist Speed: 9 fpm
- Motor: 12V DC
- Outrigger Requirements: Jackleg extending minimum 3' 9" from centerline of truck



Model	Part Number	Description	List Price
EC-2 Powered	370871010	5' Boom, power rotation, standard pedestal	\$8,699

## EC-2 Cranes – 7’ Boom

### Standard Features

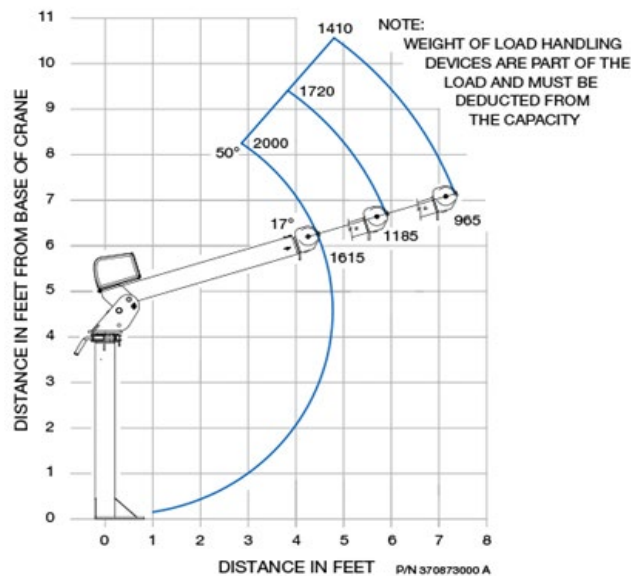
- 10 ft Hard-Wired Control
- Comprehensive 2-year warranty starting at in-service
- Power rotation
- Tall pedestal

### Specifications

- Capacity: 2,000 lb
- Rating: 6,500 ft-lb
- Reach: 7 ft
- Rotation: 355° power rotation
- Cable: 25 ft of 1/4"
- Chassis GVW: 5,200 lb min
- Weight: 280 lbs
- Boom Angle: 17° to 50°
- Hoist Speed: 9 fpm
- Motor: 12V DC
- Outrigger Requirements: Jackleg extending minimum 3' 9" from centerline of truck



Standard Pedestal, 4'



Model	Part Number	Description	List Price
EC-2 Powered	370871000	7' Boom, power rotation, standard pedestal	\$8,956

# EC-2X Crane

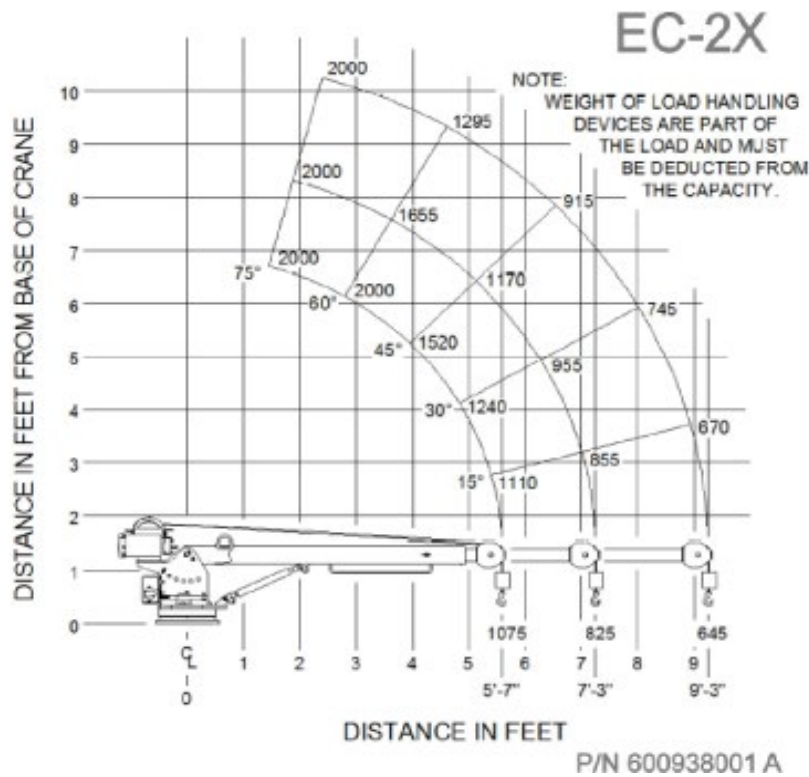


## Standard Features

- 15 ft Hard-Wired Control
- 6-position boom elevation
- Comprehensive 2-year warranty starting at in-service

## Specifications

- Capacity: 2,000 lb
- Rating: 6,000 ft-lb
- Reach: 9 ft
- Rotation: 360° continuous manual rotation
- Cable: 50 ft of 1/4"
- Chassis GVW: 8,000 lb min
- Weight: 385 lbs
- Boom Angle: 0° to 75°
- Hoist Speed: 30 fpm
- Motor: 12V DC
- Outrigger Requirements: Jackleg extending minimum 3' 3" from centerline of truck



Model	Part Number	Description	List Price
EC-2X	600900000	Manual rotation and extension	\$8,111

# EHC-3.2 Cranes



### Standard Features

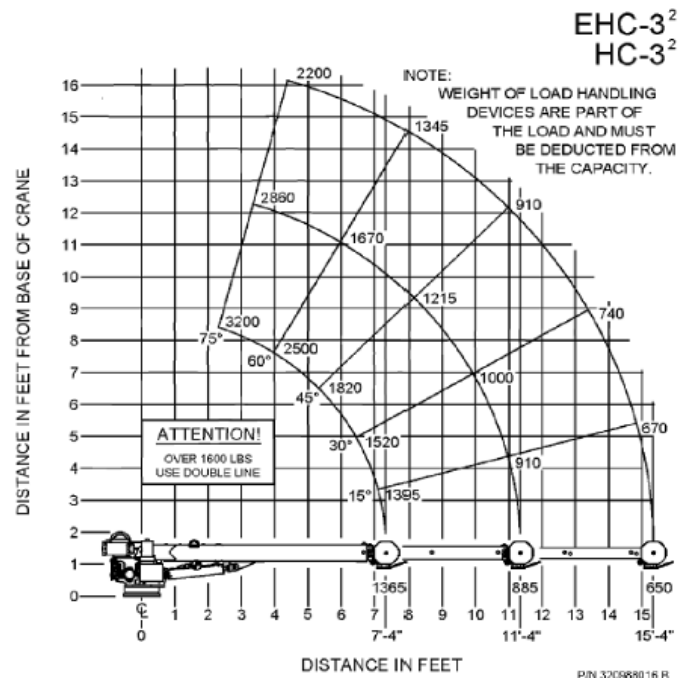
- 100% stability around truck with Titan 16 body and outriggers
- Proportional control for NexStar models
- Meets or exceeds ASME B30.5
- 370° rotation with sealed slewing drive (NexStar)
- Comprehensive 2-year warranty starting at in-service

### Options

- NexStar, wireless, or hard-wired control
- Electric or hydraulic hoist
- Hydraulic, Manual-Hydraulic, or Manual extension
- LED boom tip lights

### Specifications

- Capacity: 3,200 lb
- Rating: 10,000 ft-lb
- Reach: 15 ft
- Rotation: 360° continuous for hard-wired and wireless
- Cable: 62 ft of 7/32"
- Chassis GVW: 8,800 lb min
- Weight: 690 lbs
- Boom Angle: -5° to 75°
- Hoist Speed: 30 fpm
- Electric Supply: 12V
- Outrigger Requirements: Jackleg extending minimum 3' 9" from centerline of truck



Model	Part Number	Description	List Price
<b>EHC-3<sup>2</sup> PR</b> <b>Hard-Wired Control</b>	<b>320989003</b>	Manual boom extensions to 15'	\$14,270
<b>EHC-3<sup>2</sup> PRX</b> <b>Hard-Wired Control</b>	<b>320989002</b>	Hydraulic boom extension to 11', manual extension to 15'	\$15,653
<b>EHC-3<sup>2</sup> PRX</b> <b>Wireless Control</b>	<b>320989024</b>	Hydraulic boom extension to 11', manual extension to 15', with tether cable	\$17,633
<b>EHC-3<sup>2</sup> PRFX</b> <b>Wireless Control</b>	<b>320990004</b>	Hydraulic boom extension to 15', with tether cable	\$19,390
<b>EHC-3<sup>2</sup> PRFX</b> <b>NexStar 4 Wireless</b>	<b>320992003</b>	Hydraulic Planetary Hoist – Hydraulic boom extension to 15', with tether cable	\$25,904

# HC-3<sup>2</sup> Cranes

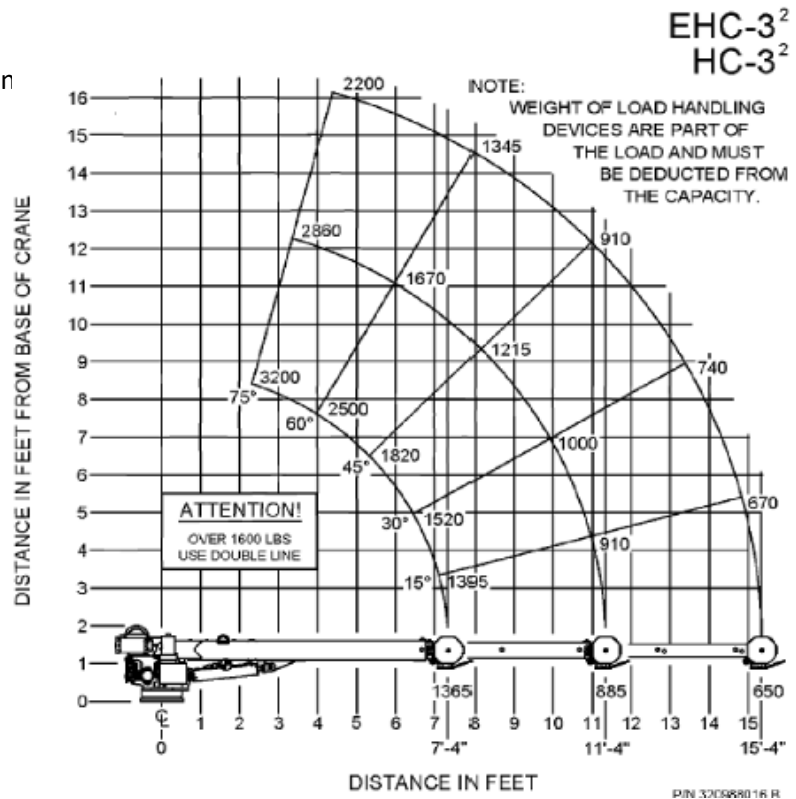


## Standard Features

- 100% stability around truck with Titan 16 body and outriggers
- Meets or exceeds ASME B30.5
- Comprehensive 2-year warranty starting at in-service

## Specifications

- Capacity: 3,200 lb
- Rating: 10,000 ft-lb
- Reach: 15 ft
- Rotation: 370° non-continuous
- Cable: 62 ft of 7/32"
- Chassis GVW: 8,800 lb min
- Weight: 640 lbs
- Boom Angle: -3° to 75°
- Hoist Speed: 27 fpm
- Hydraulic Power: 5 gpm @ 2,200 psi
- Outrigger Requirements: Jackleg extending minimum 3' 9" from centerline of truck



Model	Part Number	Description	List Price
<b>HC-3<sup>2</sup></b> <b>Wireless Control</b>	<b>320989000</b>	Power extension to 11', manual extension to 15', with tether cable	\$21,980

# EHC-4 Cranes - 16'



### Standard Features

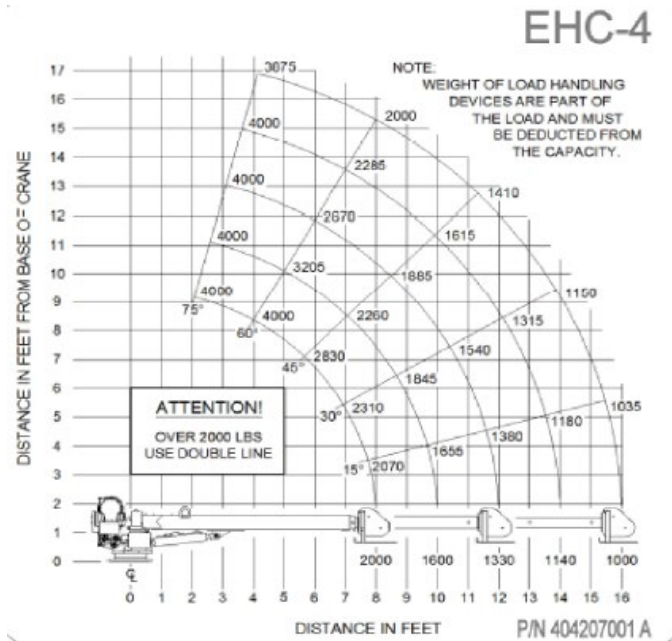
- 100% stability around truck with Titan 16 or Titan 38 body and outriggers
- Meets or exceeds ASME B30.5
- Comprehensive 2-year warranty starting at in-service

### Options

- Wireless, or hard-wired control
- LED boom tip lights

### Specifications

- Capacity: 4,000 lb
- Rating: 16,000 ft-lb
- Reach: 16 ft
- Rotation: 360° continuous for hard-wired and wireless models
- Cable: 80 ft of 5/16"
- Chassis GVW: 10,500 lb min
- Weight: 890 lbs
- Boom Angle: -5° to 75°
- Hoist Speed: 30 fpm
- Electric Supply: 12V
- Outrigger Requirements: Truck must be equipped with minimum 16,000 ft-lb rated outriggers



Model	Part Number	Description	List Price
<b>EHC-4 Hard-Wired Control</b>	<b>404181001</b>	Hydraulic boom extension to 12', manual extension to 16'	\$19,781
<b>EHC-4 Wireless Control</b>	<b>404181030</b>	Hydraulic boom extension to 12', manual extension to 16', with tether cable	\$22,461



# EHC-4 Cranes – 20'



## Standard Features

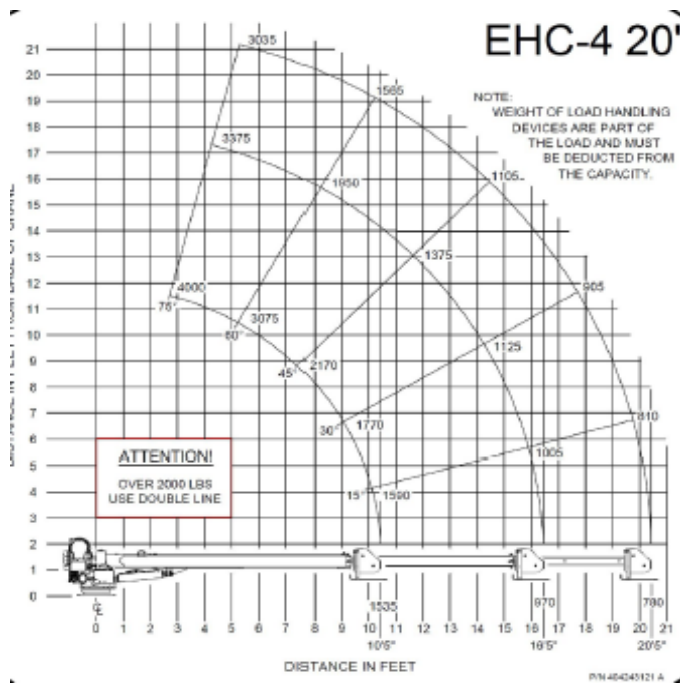
- 100% stability around truck with Titan 16 or Titan 38 body and outriggers
- Proportional control for NexStar models
- Open hook attachment
- Meets or exceeds ASME B30.5
- 370° rotation with sealed slewing drive (NexStar)
- Comprehensive 2-year warranty starting at in-service

## Options

- NexStar, wireless, or hard-wired control
- Electric or hydraulic hoist
- LED boom tip lights

## Specifications

- Capacity: 4,000 lb
- Rating: 16,000 ft-lb
- Reach: 20 ft
- Rotation: 360° continuous for hard-wired and wireless models
- Cable: 80 ft of 5/16"
- Chassis GVW: 10,500 lb min
- Weight: 890 lbs
- Boom Angle: -5° to 75°
- Hoist Speed: 30 fpm
- Electric Supply: 12V
- Outrigger Requirements: Truck must be equipped with minimum 16,000 ft-lb rated outriggers



Model	Part Number	Description	List Price
<b>EHC-4 Hard-Wired Control</b>	<b>404240020</b>	Hydraulic boom extension to 16', manual extension to 20'	\$21,007
<b>EHC-4 Wireless Control</b>	<b>404240034</b>	Hydraulic boom extension to 16', manual extension to 20', with tether cable	\$23,070
<b>EHC-4 NexStar 4 Wireless</b>	<b>404243003</b>	Hydraulic boom extension to 16', manual extension to 20', with tether cable	\$29,127

# EHC-5 Cranes



## Standard Features

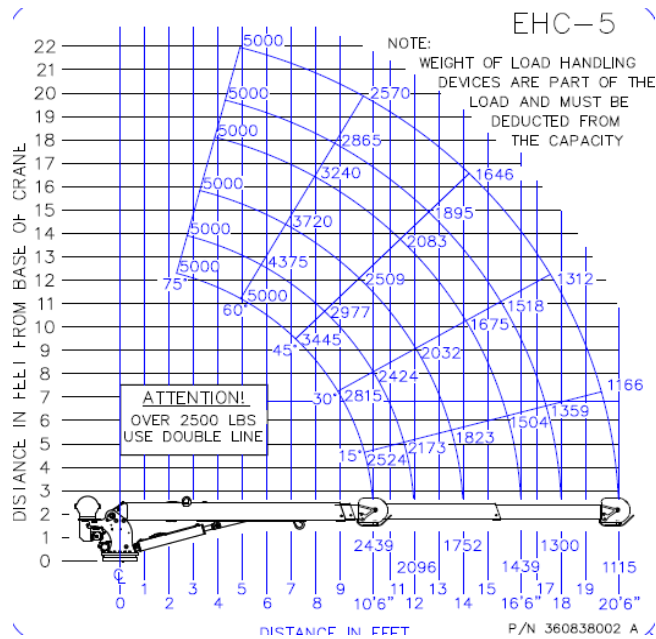
- 100% stability around truck with Titan 38 body and outriggers
- Proportional control for NexStar models
- Meets or exceeds ASME B30.5
- Open hook attachment
- 450° rotation with sealed slewing drive (NexStar)
- Comprehensive 2-year warranty starting at in-service

## Options

- NexStar, wireless, or hard-wired control
- LED boom tip lights

## Specifications

- Capacity: 5,000 lb
- Rating: 25,000 ft-lb
- Reach: 20 ft
- Cable: 80 ft of 5/16"
- Chassis GVW: 14,500 lb min
- Weight: 1,455 lbs
- Boom Angle: -14° to 75°
- Hoist Speed: 36 fpm
- Electric Supply: 12V
- Outrigger Requirements: Truck must be equipped with minimum 38,000 ft-lb rated outriggers



Model	Part Number	Description	List Price
EHC-5 Hard-Wired Control	360645001	370 degree non-continuous rotation	\$25,494
EHC-5 Wireless Control	360645010	360 degree continuous rotation, with tether cable	\$29,203
EHC-5 NexStar 4 Wireless	360646003	450 degree non-continuous rotation, with tether cable	\$34,105

# HC-5 Crane



### Standard Features

- 100% stability around truck with Titan 38 body and outriggers
- Proportional control
- Meets or exceeds ASME B30.5
- Open hook attachment
- 450° rotation with sealed slewing drive
- Comprehensive 2-year warranty starting at in-service

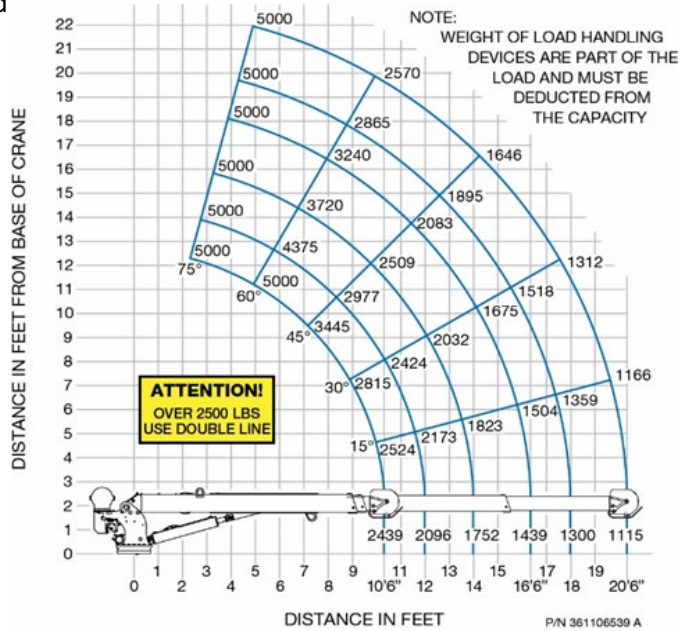
### Options

- LED boom tip lights

### Specifications

- Capacity: 5,000 lb
- Rating: 25,000 ft-lb
- Reach: 20 ft
- Cable: 80 ft of 5/16"
- Chassis GVW: 14,500 lb min
- Weight: 1,390 lbs
- Boom Angle: -14° to 75°
- Hoist Speed: 60 fpm
- Hydraulic Power: 8 gpm @ 2,750 psi
- Outrigger Requirements: Truck must be equipped with minimum 38,000 ft-lb rated outriggers

HC-5



Model	Part Number	Description	List Price
HC-5 NexStar 4 Wireless	361106530	450 degree non-continuous rotation, with tether cable	\$33,118

# EHC-6 Cranes



### Standard Features

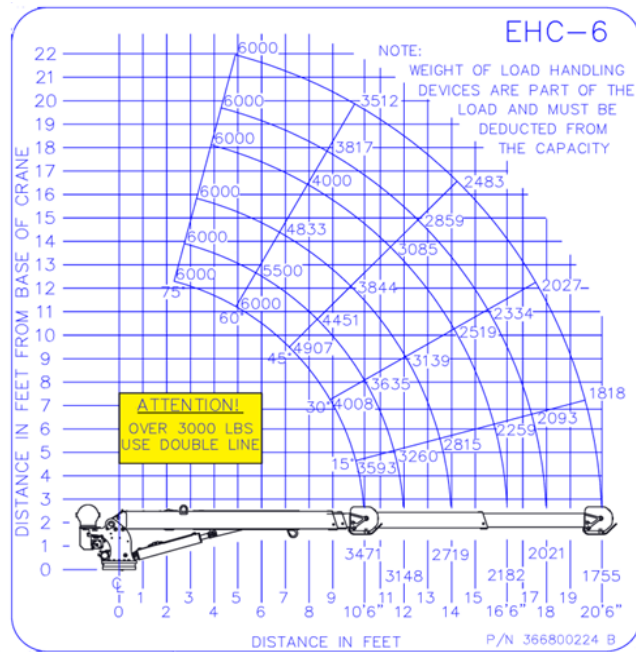
- 100% stability around truck with Titan 38 body and outriggers
- Proportional control for NexStar models
- Meets or exceeds ASME B30.5
- Open hook attachment
- 450° rotation with sealed slewing drive (NexStar)
- Comprehensive 2-year warranty starting at in-service

### Options

- NexStar, wireless, or hard-wired control
- LED boom tip lights

### Specifications

- Capacity: 6,000 lb
- Rating: 36,000 ft-lb
- Reach: 20 ft
- Cable: 95 ft of 3/8"
- Chassis GVW: 14,500 lb min
- Weight: 1,670 lbs
- Boom Angle: -14° to 75°
- Hoist Speed: 36 fpm
- Electric Supply: 12V
- Outrigger Requirements: Truck must be equipped with minimum 38,000 ft-lb rated outriggers



Model	Part Number	Description	List Price
EHC-6 Hard-Wired Control	366600002	360 degree continuous rotation	\$29,006
EHC-6 Hard-Wired Control	366780002	370 degree non-continuous rotation	\$27,068
EHC-6 Wireless Control	366600005	360 degree continuous rotation, with tether cable	\$31,221
EHC-6 NexStar 4 Wireless	366664003	450 degree non-continuous rotation, with tether cable	\$35,165

# HC-6 Cranes



### Standard Features

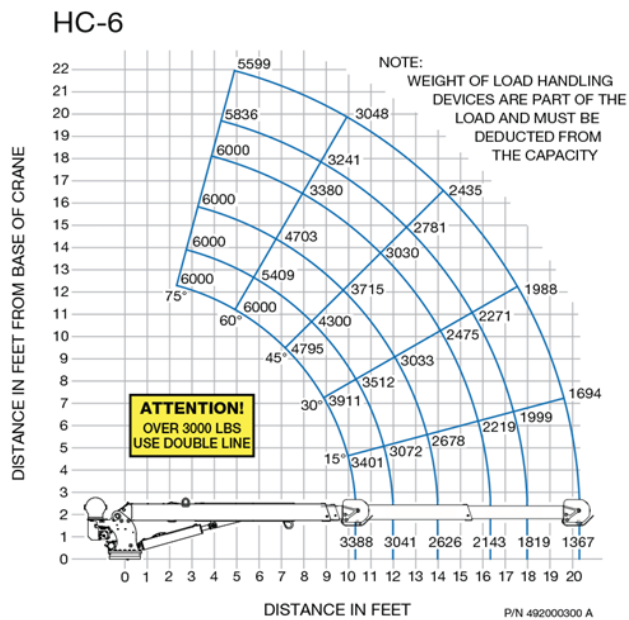
- 100% stability around truck with Titan 38 body and outriggers
- Proportional control
- Meets or exceeds ASME B30.5
- Open hook attachment
- 450° rotation with sealed slewing drive
- Comprehensive 2-year warranty starting at in-service

### Options

- LED boom tip lights

### Specifications

- Capacity: 6,000 lb
- Rating: 36,000 ft-lb
- Reach: 20 ft
- Cable: 80 ft of 5/16"
- Chassis GVW: 14,500 lb min
- Weight: 1,670 lbs
- Boom Angle: -14° to 75°
- Hoist Speed: 60 fpm
- Hydraulic Power: 8 gpm @ 2,750 psi
- Outrigger Requirements: Truck must be equipped with minimum 38,000 ft-lb rated outriggers



Model	Part Number	Description	List Price
HC-6 NexStar 4 Wireless Control	492000010	450 degree non-continuous rotation, with tether cable	\$33,848

# HC-7 Cranes



### Standard Features

- 100% stability around truck with Titan 38 body and outriggers
- Proportional control
- Meets or exceeds ASME B30.5
- Open hook attachment
- 450° rotation with sealed slewing drive
- Comprehensive 2-year warranty starting at in-service

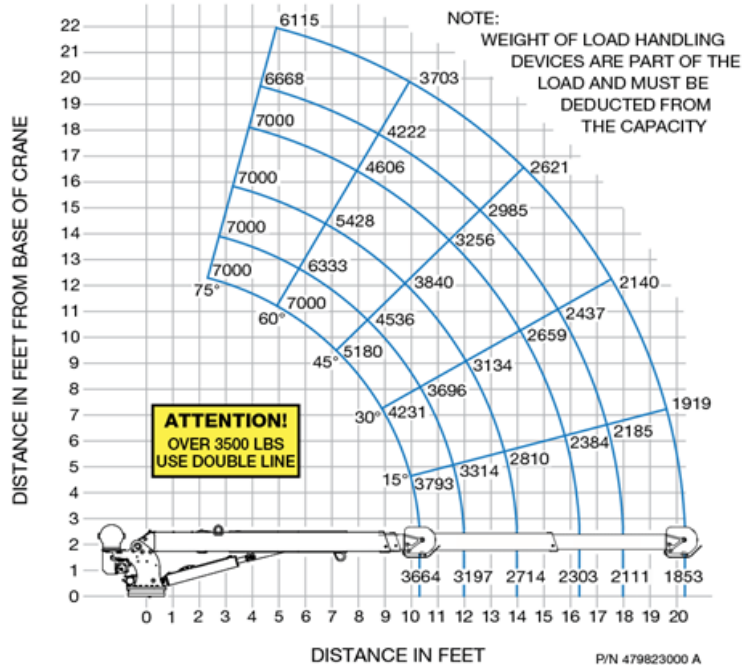
### Options

- LED boom tip lights

### Specifications

- Capacity: 7,000 lb
- Rating: 38,000 ft-lb
- Reach: 20 ft
- Cable: 95 ft of 3/8"
- Chassis GVW: 14,500 lb min
- Weight: 1,705 lbs
- Boom Angle: -14° to 75°
- Hoist Speed: 55 fpm
- Hydraulic Power: 8 gpm @ 2,750 psi
- Outrigger Requirements: Truck must be equipped with minimum 38,000 ft-lb rated outriggers

### HC-7



Model	Part Number	Description	List Price
HC-7 NexStar 4 Wireless Control	477000008	450 degree non-continuous rotation, with tether cable	\$34,957

# HC-7x Crane



## Standard Features

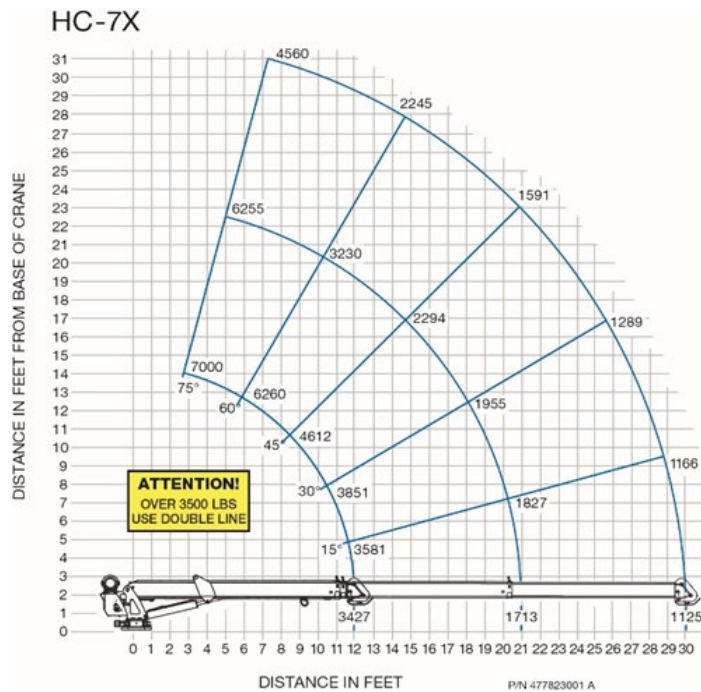
- 100% stability around truck with Titan 38 body and outriggers
- Proportional control
- Meets or exceeds ASME B30.5
- Open hook attachment
- 450° rotation with sealed slewing drive
- Comprehensive 2-year warranty starting at in-service

## Options

- LED boom tip lights

## Specifications

- Capacity: 7,000 lb
- Rating: 43,000 ft-lb
- Reach: 30 ft
- Cable: 120 ft of 3/8"
- Chassis GVW: 19,500 lb min
- Weight: 1,865 lbs
- Boom Angle: -12° to 75°
- Hoist Speed: 55 fpm
- Hydraulic Power: 8 gpm @ 2,750 psi
- Outrigger Requirements: Truck must be equipped with minimum 43,000 ft-lb rated outriggers



Model	Part Number	Description	List Price
HC-7x NexStar 4 Wireless	477000003	450 degree non-continuous rotation, with tether cable	\$40,332

# HC-8 Crane



## Standard Features

- 100% stability around truck with Titan 38 body and outriggers
- Proportional control
- Meets or exceeds ASME B30.5
- Open hook attachment
- 450° rotation with sealed slewing drive
- Comprehensive 2-year warranty starting at in-service

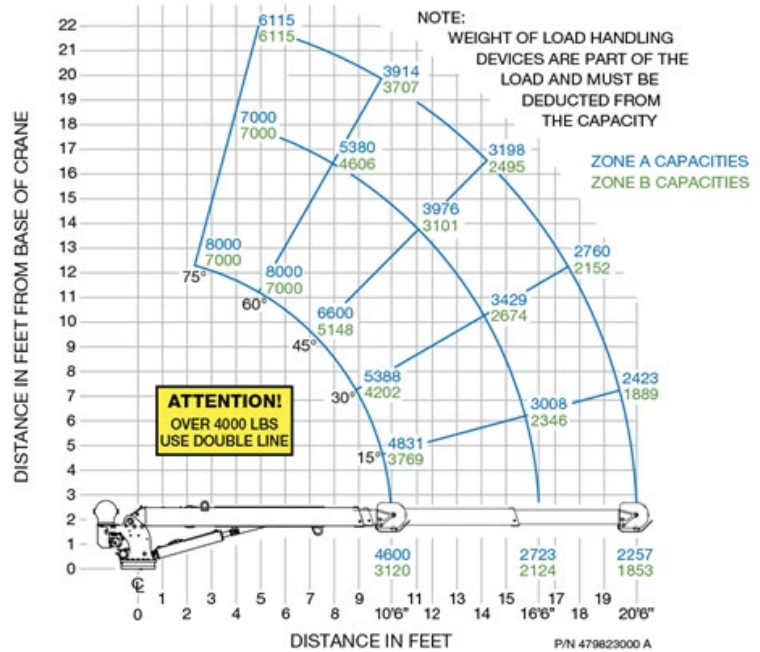
## Options

- LED boom tip lights

## Specifications

- Capacity: 8,000 lb
- Rating: 49,000 ft-lb
- Reach: 20 ft
- Cable: 95 ft of 3/8"
- Chassis GVW: 19,500 lb min
- Weight: 1,705 lbs
- Boom Angle: -14° to 75°
- Hoist Speed: 55 fpm
- Hydraulic Power: 8 gpm @ 2,750 psi
- Outrigger Requirements: Truck must be equipped with minimum 49,000 ft-lb rated outriggers

HC-8



Model	Part Number	Description	List Price
HC-8 NexStar 4 Wireless Control	479000012	450 degree non-continuous rotation, with tether cable	\$37,248



# HC-8x Crane



## Standard Features

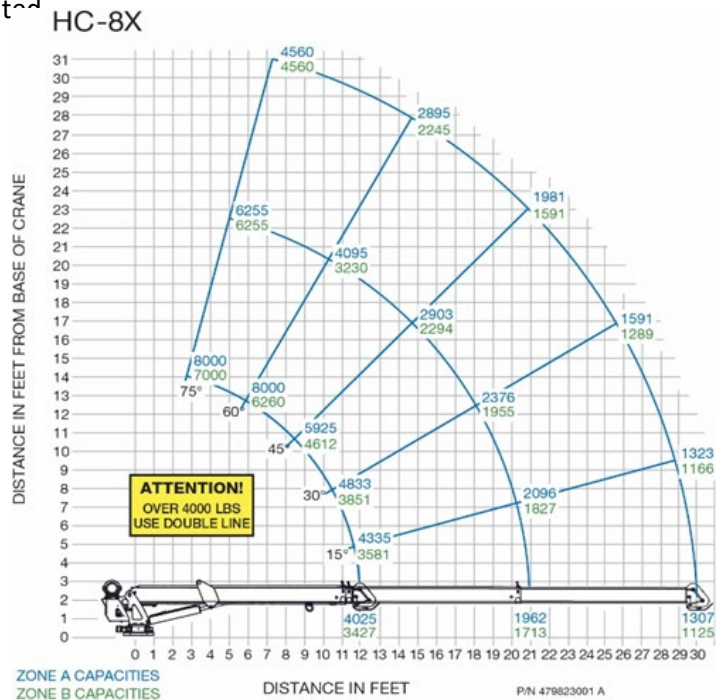
- 100% stability around truck with Titan 38 body and outriggers
- Proportional control
- Meets or exceeds ASME B30.5
- Open hook attachment
- 450° rotation with sealed slewing drive
- Comprehensive 2-year warranty starting at in-service

## Options

- LED boom tip lights

## Specifications

- Capacity: 8,000 lb
- Rating: 52,000 ft-lb
- Reach: 30 ft
- Cable: 120 ft of 3/8"
- Chassis GVW: 19,500 lb min
- Weight: 1,870 lbs
- Boom Angle: -12° to 75°
- Hoist Speed: 55 fpm
- Hydraulic Power: 8 gpm @ 2,750 psi
- Outrigger Requirements: Truck must be equipped with minimum 52,000 ft-lb rated outriggers



Model	Part Number	Description	List Price
HC-8x NexStar 4 Wireless	479000011	450 degree non-continuous rotation, with tether cable	\$41,429

# 8406H Cranes



### Standard Features

- 100% stability around truck with Titan 50 body and outriggers
- Proportional control
- Meets or exceeds ASME B30.5
- Open hook attachment
- 450° rotation with sealed slewing drive
- Comprehensive 2-year warranty starting at in-service

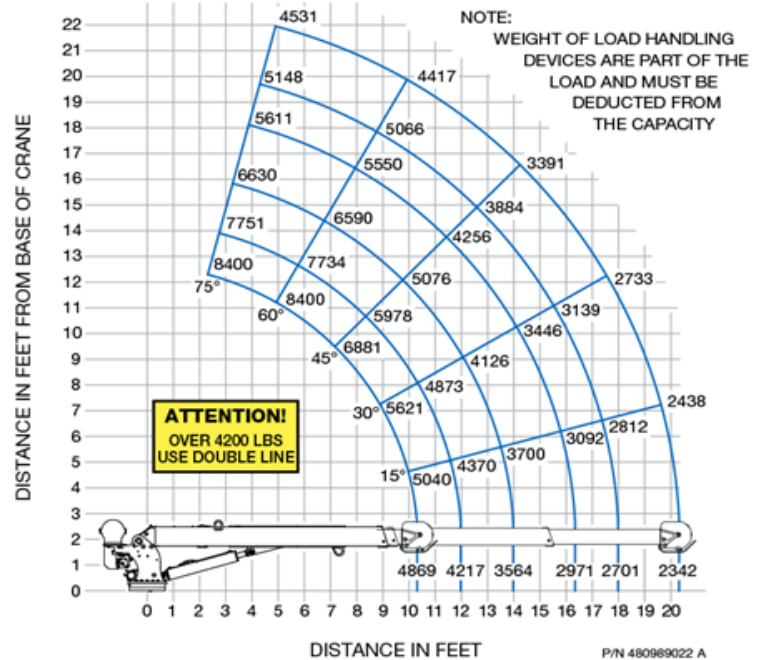
### Options

- LED boom tip lights

### Specifications

- Capacity: 8,400 lb
- Rating: 50,000 ft-lb
- Reach: 20 ft
- Cable: 95 ft of 3/8"
- Chassis GVW: 20,500 lb min
- Weight: 1,755 lbs
- Boom Angle: -14° to 75°
- Hoist Speed: 60 fpm
- Hydraulic Power: 13 gpm @ 2,750 psi
- Outrigger Requirements: Truck must be equipped with minimum 50,000 ft-lb rated outriggers

### 8406H



Model	Part Number	Description	List Price
8406H NexStar 4 Wireless	480989008	450 degree non-continuous rotation, with tether cable	\$35,745

# HC-10 Crane



### Standard Features

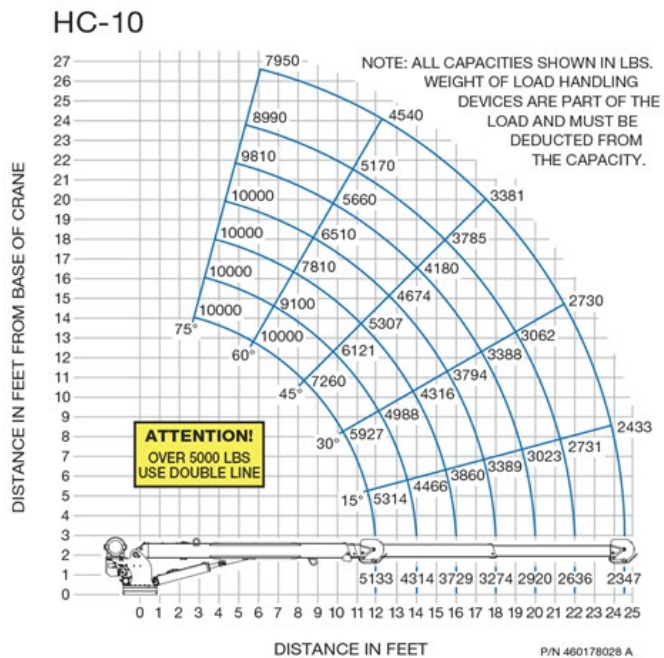
- 100% stability around truck with Titan 60 body and outriggers
- Proportional control
- Meets or exceeds ASME B30.5
- Open hook attachment
- 450° rotation with sealed slewing drive
- Comprehensive 2-year warranty starting at in-service

### Options

- LED boom tip lights

### Specifications

- Capacity: 10,000 lb
- Rating: 60,000 ft-lb
- Reach: 25 ft
- Cable: 120 ft of 7/16"
- Chassis GVW: 26,000 lb min
- Weight: 1,900 lbs
- Boom Angle: -12° to 75°
- Hoist Speed: 60 fpm
- Hydraulic Power: 10 gpm @ 3,000 psi
- Outrigger Requirements: Truck must be equipped with minimum 60,000 ft-lb rated outriggers



Model	Part Number	Description	List Price
HC-10 NexStar 4 Wireless Control	460179005	450 degree non-continuous rotation, with tether cable	\$41,606

# HC-12s Crane



### Standard Features

- 100% stability around truck with Titan 60 body and outriggers
- Proportional control
- Meets or exceeds ASME B30.5
- Open hook attachment
- 450° rotation with sealed slewing drive
- Comprehensive 2-year warranty starting at in-service

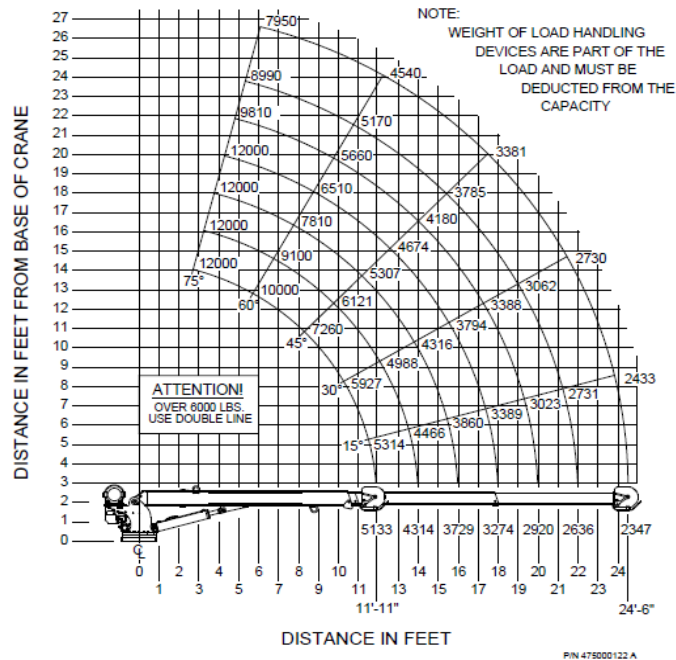
### Options

- LED boom tip lights

### Specifications

- Capacity: 12,000 lb
- Rating: 60,000 ft-lb
- Reach: 25 ft
- Cable: 120 ft of 7/16"
- Chassis GVW: 26,000 lb min
- Weight: 1,900 lbs
- Boom Angle: -12° to 75°
- Hoist Speed: 60 fpm
- Hydraulic Power: 10 gpm @ 3,000 psi
- Outrigger Requirements: Truck must be equipped with minimum 60,000 ft-lb rat outriggers

HC-12S



Model	Part Number	Description	List Price
HC-12s NexStar 4 Wireless Control	475000012	450 degree non-continuous rotation, with tether cable	\$42,238

# HC-12 Crane



### Standard Features

- 100% stability around truck with Titan 85 body and outriggers
- Proportional control
- Meets or exceeds ASME B30.5
- Open hook attachment
- 450° rotation with sealed slewing drive
- Comprehensive 2-year warranty starting at in-service

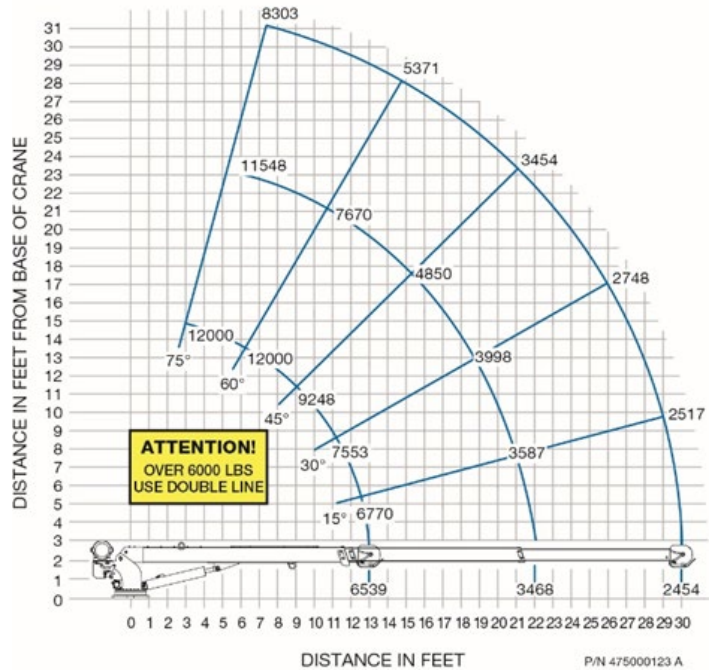
### Options

- LED boom tip lights

### Specifications

- Capacity: 12,000 lb
- Rating: 85,000 ft-lb
- Reach: 30 ft
- Cable: 120 ft of 7/16"
- Chassis GVW: 29,000 lb min
- Weight: 3,140 lbs
- Boom Angle: -12° to 75°
- Hoist Speed: 60 fpm
- Hydraulic Power: 10 gpm @ 3,000 psi
- Outrigger Requirements: Truck must be equipped with minimum 85,000 ft-lb rated outriggers

HC-12



Model	Part Number	Description	List Price
HC-12 NexStar 4 Wireless Control	475000014	450 degree non-continuous rotation, with tether cable	\$50,050

# HC-14 Crane



## Standard Features

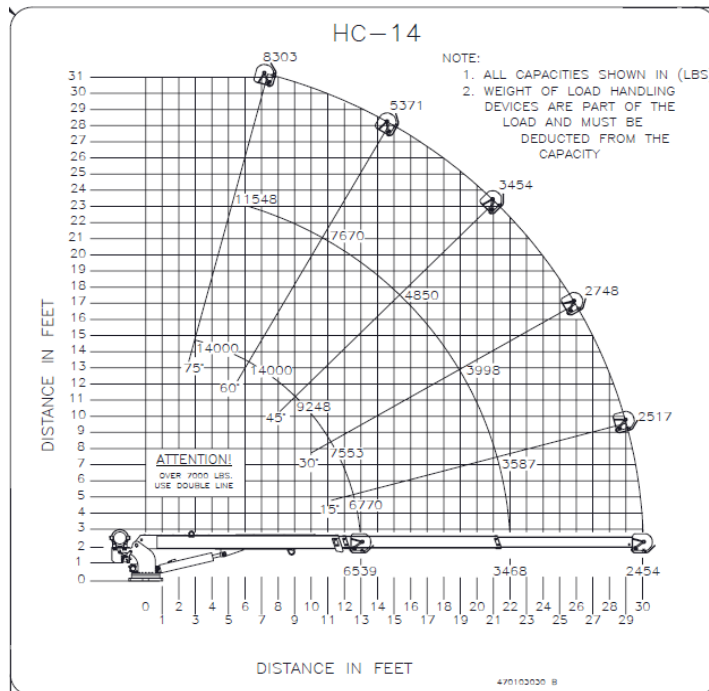
- 100% stability around truck with Titan 85 body and outriggers
- Proportional control
- Meets or exceeds ASME B30.5
- Open hook attachment
- 450° rotation with sealed slewing drive
- Comprehensive 2-year warranty starting at in-service

## Options

- LED boom tip lights

## Specifications

- Capacity: 14,000 lb
- Rating: 85,000 ft-lb
- Reach: 30 ft
- Cable: 120 ft of 1/2"
- Chassis GVW: 29,000 lb min
- Weight: 3,200 lbs
- Boom Angle: -12° to 75°
- Hoist Speed: 60 fpm
- Hydraulic Power: 15 gpm @ 2,800 psi
- Outrigger Requirements: Truck must be equipped with minimum 85,000 ft-lb rated outriggers



Model	Part Number	Description	List Price
HC-14 NexStar 4 Wireless	470103006	450 degree non-continuous rotation, with tether cable	\$51,799

## Crane Accessories

Boom Tip Lights			
Part Number	Description	List Price	Installed
475300075	Boom Tip Lights, 2 lights, for Models EHC-3 & EHC-4	\$711	
475300076	Boom Tip Lights, 2 lights, for Models EHC-3 & EHC-4 Installed (Includes Above Part Number)		\$791
475300071	Boom Tip Lights, 2 lights, for Models EHC-5, HC-5, HC-6	\$704	
475300072	Boom Tip Lights, 2 lights, for Models EHC-5, HC-5, HC-6 Installed (Includes Above Part Number)		\$783
475300065	Boom Tip Lights, 2 lights, for Models EHC-6, HC-7 - HC-12	\$704	
475300070	Boom Tip Lights, 2 lights, for Models EHC-6, HC-7, HC-8, HC-9 - HC-12 Installed (Includes Above Part Number)		\$783
475300060	Boom Tip Lights, 2 lights, for Models HC-7x & HC-8X Installed (Includes 475300065 Part Number)		\$786
475300068	Boom Tip Lights, 2 lights, for Model HC-14	\$1,032	
475300069	Boom Tip Lights, 2 lights, for Model HC-14 Installed (Includes Above Part Number)		\$783

NexStar 4 Remote Reminder Chime Kit			
Part Number	Description	List Price	Installed
366823460	NexStar Remote Reminder Chime Kit	\$206	
366823461	NexStar Remote Reminder Chime Kit, Installed (Includes Above Part Number) (Factory upfit only)		\$596
366823477	NexStar Remote Reminder Chime Kit, Installed (use with Titan Connect)		\$221

Boom Supports			
Part Number	Description	List Price	Installed
560195015	Boom Support (EHC-5 – HC-14 cranes)	\$729	
715064020	Boom Support (EHC-3.2 & EHC-4 cranes)	\$479	

## Crane Accessories

Outriggers & Jacklegs			
Part Number	Description	List Price	Installed
700343000	Medium Duty Screw Base Detachable Jackleg (16" long) *	\$349	
700351000	Medium Duty Screw Base Detachable Jackleg (24" long) *	\$352	
320980001	Manual Out; Up/Down Outriggers (16,000 ft-lb) 4004 Model or Smaller Crane (for single rear wheel vehicle)	\$1,513	
320980000	Manual Out; Up/Down Outriggers (16,000 ft-lb) 4004 Model or Smaller crane (for dual rear wheel vehicle)	\$1,707	
738896000	Full Manual Outrigger Assembly (38,000 ft-lb) Right Side Crane (for use with HC-7 or smaller crane)	\$3,634	
738493000	Full Hydraulic Outrigger Assembly (52,000 ft-lb rear of body / 43,000 ft-lb sides of body) Right Side Crane (for use with HC-8X or smaller crane - required when mounting an HC-7X, HC-8, or HC-8X crane to a Titan 38 body)	\$8,573	
560570100	Hydraulic In/Out, Up/Down Outriggers (50,000 ft-lb) Right Side Crane (for 8406H crane or equivalent)	\$10,183	
560570101	Full hydraulic outriggers, single slide - Right Side Crane (use 24" or 30" bumper designed for single slide outrigger) ( Titan 60 body - 60,000 ft-lb)**	\$10,334	
772020001	Hydraulic In/Out, Up/Down Outriggers (85,000 ft-lb) Right Side Crane (for Titan 60 & 85 body)	\$12,874	

\* Jacklegs do not provide 360-degree stability for cranes of 10,000 ft. lbs.

\*\* The single slide outriggers have less than 100% capacity on truck sides to maintain stability



## NexStar 4

<https://autocrane.us/nexstar-next-gen/>



### Rugged Remote

- Field-proven ruggedness and lighter weight
  - Even lighter by as much as 70% of the weight of competitor pistol grip remotes
- Better ergonomics for one-hand operation alleviating fatigue
- Rechargeable Li-ion battery
  - 12 hours of use
- Larger color LCD with simplified interface
  - A bar graph quickly tells you how much capacity remains before an overload occurs
  - The message area tells you the status of the crane in plain text
  - Intuitive symbols make the the values stand out
- Lower cost repair and faster service
- Docking station quickly charges the remote and doubles as a missing remote indicator
  - Operators are reminded when they've left the remote at the job site or on the back of the truck

### Field Tested

- Field testing has proven the new remote is far more rugged

### Automated Deploy and Stow

#### AutoDeploy™

- AutoDeploy brings the crane out of the rest and rotates the boom around to the right side of the truck and then releases the hook with traveling block.

#### AutoStow™

- Retract the crane and set the traveling block hook on the attachment, then run AutoStow to park the crane.

### Remote Troubleshooting (Optional Bluetooth modem required)

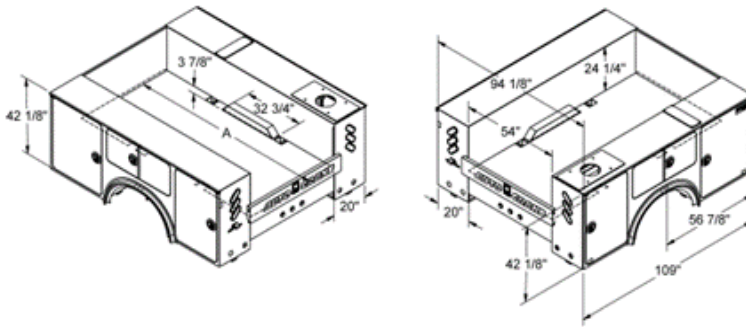
- Part number for Bluetooth modem is 366823468 (List price \$528)
- Diagnose problems before arriving with mobile service
- Change settings and tuning parameters
- Update software remotely without special tool or trip

### Fleet Management (Optional capability)

- Improved data logging is focused on the metrics that fleet managers want to see:
  - Crane utilization
  - Incident recording (“black box” type recording of several incidents)

## Titan 16 - 9' Body (60" Cab-to-Axle)

- 10,900 GVWR
- One-piece 10 gauge side-pack design
- Three angled oval lights on the rear of the body
- Integral crane reinforcement up to 16,000 ft. lbs.
- For cranes up to EHC-4
- Flush door panels with bulb seal gasket
- Three-point latching system
- Rugged, durable interlocking channel frame
- Rounded door corners
- Shelf kit is standard – (2) in each front compartment and (1) in each horizontal compartment



Part Number	Description	List Price
715320004	Titan 16-9' – Standard – RS Crane	\$25,481

Length for “A” Dimension – Standard Bulkhead 107 5/8” – Recessed Bulkhead 99”

Bulkheads (Choose one with order)			
Part Number	Description	List Price	Installed List Price
715306010	Standard bulkhead (flush with the front of the body)		\$326

Additional Shelving			
Part Number	Description	List Price	Installed List Price
715070001	Shelf kit for rear compartment opposite crane box (2) shelves	\$344	
715078000	Single shelf for front compartment	\$198	
716868000	Install single shelf and shelf strips (Add to part number above)		Add \$111
715070100	Shelving kit, 2 shelves, installed for crane compartment		\$482

Toolboxes			
Part Number	Description	List Price	Installed List Price
715160100	Front compartment – Aluminum Toolbox (1) 7", (2) 5", (4) 3"	\$2,798	
715160301	Horizontal compartment – Aluminum Toolbox (3) 3"	\$1,533	
715160400	Rear compartment – Aluminum Toolbox (1) 7", (2) 5", (4) 3"	\$2,499	
716862000	Install toolbox (Add to part number above for each toolbox)		Add \$398

Interior Lighting Options			
<a href="https://autocrane.us/product-category/accessories/lights/">https://autocrane.us/product-category/accessories/lights/</a>			
Part Number	Description	List Price	Installed List Price
475300151	LED interior compartment lighting, Right Side Crane	\$692	
716869000	Install compartment lighting (Add to part number above)		Add \$1,012

Grab Handle			
Part Number	Description	List Price	Installed List Price
758025000	Grab handle (1)		\$186

Bumper / Outriggers			
Part Number	Description	List Price	Installed List Price
715321030	Shipping tube, to be ordered when outriggers are not installed		\$612
715100000	Manual outriggers with standard 8" bumper – Right Side Crane	\$2,436	
715158000	Manual outrigger with 20" workbench bumper – Right Side Crane	\$5,053	
716857000	Install bumper/outrigger (Add to part number above)		Add \$344

Receiver Hitch			
Part Number	Description	List Price	Installed List Price
715135000	Receiver hitch (for 8" bumpers) - Ford	\$891	
715135011	Receiver hitch (for 8" bumpers) - Chevrolet or Ram	\$769	
716874000	Install receiver hitch for upfit at factory only for 715135000 hitch (Add to part number above)		Add \$259
738850126	Receiver hitch (for 715158000, 20" bumper)		\$1,176

Trailer Plugs			
Part Number	Description	List Price	Installed List Price
739167005	Trailer wiring socket – 7 way spade	\$32.75	
716861400	Install trailer plug (Add to part number above)		Add \$430

Paint			
<a href="https://autocrane.us/product-category/accessories/coatings/">https://autocrane.us/product-category/accessories/coatings/</a>			
Part Number	Description	List Price	Installed List Price
750631000	(Auto Crane White) Painted on the outside and inside of the body		\$2,625
716881010	(Auto Crane White) Painted on the outside of the body and multicolor coating on the inside of the compartments		\$3,096
716863000	(Auto Crane White) painted inside compartments only		\$934
716881020	Coating, multicolor - inside compartments only		\$1,493
900500000	Custom Paint		\$3,636

Titan Armor (In place of Paint)			
<a href="https://autocrane.us/product/titan-armor/">https://autocrane.us/product/titan-armor/</a>			
Part Number	Description	List Price	Installed List Price
750631012	Titan Armor, white on the outside, multicolor on the inside		\$6,302
750631010	Titan Armor, custom paint on the outside, multicolor on the inside		\$7,623

Bedliner			
<a href="https://autocrane.us/product-category/accessories/coatings/">https://autocrane.us/product-category/accessories/coatings/</a>			
Part Number	Description	List Price	Installed List Price
717510001	Bedliner - Floor and Sides Only		\$1,605
717510003	Bedliner - Floor, Sides and Compartment Tops		\$1,956
717510005	Bedliner - Workbench bumper		\$630
717510006	Arctic Package (rock guard coating for paint protection)		\$1,498
717510008	Bedliner - Front of Body		\$840

# Titan 16 - 9' Body Accessories

Bodies

Boom Support			
Part Number	Description	List Price	Installed List Price
715064020	Boom support (EHC-3.2 & EHC-4 cranes)	\$479	
716858000	Install boom support (Add to part number above)		Add \$169

Work Light Options			
Part Number	Description	List Price	Installed List Price
475300034	LED Work Light, square, 1600 lumens with bracket (use at rear of body & headache rack)	\$110	
475300037	LED Work Light, square, 1600 lumens (use with light rack)	\$57	
716861000	Install work lights (Add to part number above)		Add \$225

Underbody Lighting			
Part Number	Description	List Price	Installed List Price
475300425	Underbody Lighting , Kit, 9' Bodies		\$1,238

Master Locking Systems			
Part Number	Description	List Price	Installed List Price
715309105	Master lock system stainless/steel – Standard body		\$1,369

Fuel & Fuel/DEF Cut-Outs			
Part Number	Description	List Price	Installed List Price
715320020	Fuel / DEF filler cut-outs (2 cut-outs)		\$357
715320021	Fuel cut-out RAM (1 cut-out)		\$191
715320022	Fuel cut-out only, Ford Chassis (1 cut-out)		\$197
715320026	Fuel cut-out only, Chevy Chassis (1 cut-out)		\$197

Body Installation Kits			
Part Number	Description	List Price	Installed List Price
560579000	Body installation kit (for Ford gas chassis and Ford F-350, F-450, and F-550 diesel chassis pre-2021)	\$587	
560579002	Body installation kit (for 2021 to present diesel Ford chassis)	\$961	
560579100	Body installation kit (for RAM chassis)	\$584	
560581000	Body installation kit (for International/Chevy chassis)	\$212	

Body Installation Charge			
Part Number	Description	List Price	Installed List Price
716851000	Install body on Class 5 and below chassis, includes mud flaps (Add to body part number if upfit at factory)		\$5,955

Crane Installation Charges			
Part Number	Description	List Price	Installed List Price
750678000	Install EC-2X, EHC-3.2, or EHC-4 crane (Add to crane part number if upfit at factory)		\$936

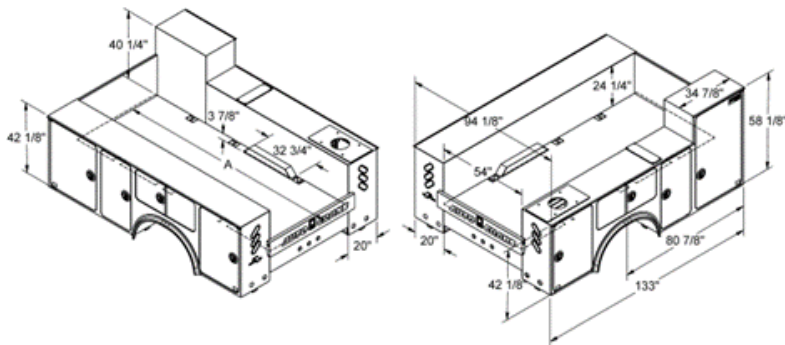
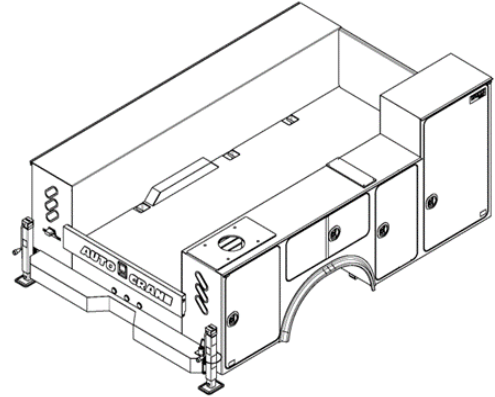
Equipment			
Part Number	Description	List Price	Installed List Price
750831000	ICC safety kit (Complies with FMVH Safety Standard No. 125, Sec. 571.125)	\$90.75	
750061000	Fire extinguisher (Complies with FMCS Regs. Sec. 393.95 – classification 2 – A:10-B:C unit)	\$174	
750681000	Backup safety alarm		\$330

Spring Reinforcement (For Factory Installs Only)			
Part Number	Description	List Price	Installed List Price
736995001	Spring reinforcement		\$2,358
738752115	Spring reinforcement, additional side		\$1,176

Install Chassis Supplied Back-Up Camera			
Part Number	Description	List Price	Installed List Price
725692010	Install back-up camera that comes with chassis, RAM		\$110
725692020	Install back-up camera that comes with chassis, Ford		\$110
739409620	Install back-up camera that comes with chassis, International/Chevy		\$253

## Titan 16 - 11' Body (84" Cab-to-Axle)

- 10,900 GVWR
- One-piece 10 gauge side-pack design
- Three angled oval lights on the rear of the body
- Integral crane reinforcement up to 16,000 ft. lbs.
- For cranes up to EHC-4
- Flush door panels with bulb seal gasket
- Three-point latching system
- Rugged, durable interlocking channel frame
- Rounded door corners
- Shelf kit is standard – (2) in each front compartment, (2) in each mid compartment, and (1) in each horizontal compartment



Part Number	Description	List Price
715330001	Titan 16-11' – RS Tall – RS Crane	\$29,520

Length for "A" Dimension – Standard Bulkhead 131 5/8" – Recessed Bulkhead 123"

# Titan 16 - 11' Body Accessories

Bulkheads (Choose one with order)			
Part Number	Description	List Price	Installed List Price
715306010	Standard bulkhead (flush with the front of the body)		\$326
715306011	Recessed bulkhead (recessed back from the front of the body)		\$326

Additional Shelving			
Part Number	Description	List Price	Installed List Price
715070001	Shelf kit for rear compartment opposite crane box (2) shelves	\$344	
715078000	Single shelf for front compartment	\$198	
715079000	Single shelf for mid compartment	\$137	
716868000	Install single shelf and shelf strips (Add to part number above)		Add \$111

Toolboxes			
Part Number	Description	List Price	Installed List Price
715160100	Front compartment – Aluminum Toolbox (1) 7", (2) 5", (4) 3"	\$2,798	
715160101	Front compartment – Aluminum Toolbox (1) 7", (2) 5", (5) 3"	\$3,085	
715160108	Mid compartment - Aluminum Toolbox (1) 7", (2) 5", (4) 3"	\$2,296	
715160300	Horizontal compartment – Aluminum Toolbox (4) 3"	\$1,521	
715160301	Horizontal compartment – Aluminum Toolbox (3) 3"	\$1,533	
715160400	Rear compartment – Aluminum Toolbox (1) 7", (2) 5", (4) 3"	\$2,499	
716862000	Install toolbox (Add to part number above for each toolbox)		Add \$398

Oxygen/Acetylene Compartment Options			
Part Number	Description	List Price	Installed List Price
736233000	Three oxygen/acetylene bottle holders with hose holder (for standard or tall compartment)		\$660
560483100	Oxy divider / shelving package for front compartment (fits 58" tall front compartment)		\$1,423
715136000	Drop-Well Assembly (2" Deep)		\$793

Interior Lighting Options			
<a href="https://autocrane.us/product-category/accessories/lights/">https://autocrane.us/product-category/accessories/lights/</a>			
Part Number	Description	List Price	Installed List Price
475300153	LED interior compartment lighting, Right Side Crane	\$2,353	
716869000	Install compartment lighting (Add to part number above)		Add \$1,012

Grab Handle			
Part Number	Description	List Price	Installed List Price
758025000	Grab handle (1)		\$186



# Titan 16 - 11' Body Accessories

Bumper / Outriggers			
Part Number	Description	List Price	Installed List Price
715321030	Shipping tube, to be ordered when outriggers are not installed		\$612
715100000	Manual outriggers with standard 8" bumper – Right Side Crane	\$2,436	
715158000	Manual outrigger with 20" workbench bumper – Right Side Crane	\$5,053	
716857000	Install bumper/outrigger (Add to part number above)		Add \$344

Receiver Hitch			
Part Number	Description	List Price	Installed List Price
715135000	Receiver hitch (for 8" bumpers) - Ford	\$891	
715135011	Receiver hitch (for 8" bumpers) - Chevrolet or Ram	\$769	
716874000	Install receiver hitch for upfit at factory only for 715135000 hitch (Add to part number above)		Add \$259
738850126	Receiver hitch (for 715158000, 20" bumper)		\$1,176

Trailer Plugs			
Part Number	Description	List Price	Installed List Price
739167005	Trailer wiring socket – 7 way spade	\$32.75	
716861400	Install trailer plug (Add to part number above)		Add \$430

Paint			
Part Number	Description	List Price	Installed List Price
750631000	(Auto Crane White) Painted on the outside and inside of the body		\$2,625
716881010	(Auto Crane White) Painted on the outside of the body and multicolor coating on the inside of the compartments		\$3,096
716863000	(Auto Crane White) -painted inside compartments only		\$934
716881020	Coating, multicolor - inside compartments only		\$1,493
900500000	Custom Paint		\$3,636

Titan Armor (In place of Paint)			
<a href="https://autocrane.us/product/titan-armor/">https://autocrane.us/product/titan-armor/</a>			
Part Number	Description	List Price	Installed List Price
750631012	Titan Armor, painted white on the outside, multicolor on the inside		\$6,302
750631010	Titan Armor, custom paint on the outside, multicolor on the inside		\$7,623

Bedliner			
<a href="https://autocrane.us/product-category/accessories/coatings/">https://autocrane.us/product-category/accessories/coatings/</a>			
Part Number	Description	List Price	Installed List Price
717510001	Bedliner - Floor and Sides Only		\$1,605
717510003	Bedliner - Floor, Sides and Compartment Tops		\$1,956
717510005	Bedliner - Workbench bumper		\$630
717510006	Arctic Package (rock guard coating for paint protection)		\$1,498
717510008	Bedliner - Front of Body		\$840

Boom Support			
Part Number	Description	List Price	Installed List Price
715064020	Boom support (EHC-3.2 & EHC-4 cranes)	\$479	
716858000	Install boom support (Add to part number above)		Add \$169

Light Rack & Headache Racks			
Part Number	Description	List Price	Installed List Price
739317875	Light rack - Titan 16 – left side standard, right side tall		\$980
715309560	Headache rack - Titan 16 – left side standard, right side tall		\$2,075

Work Light Options			
Part Number	Description	List Price	Installed List Price
475300034	LED Work Light, square, 1600 lumens with bracket (use at rear of body & headache rack)	\$110	
475300037	LED Work Light, square, 1600 lumens (use with light rack)	\$57	
716861000	Install work lights (Add to part number above)		Add \$225

Underbody Lighting			
Part Number	Description	List Price	Installed List Price
475300420	Underbody Lighting , Kit, 11' Bodies		\$1,711

Master Locking Systems			
Part Number	Description	List Price	Installed List Price
715319106	Master lock system stainless/steel – RS Tall body		\$1,377

# Titan 16 - 11' Body Accessories

Titan Trax Struts (Full length mounting struts)			
Part Number	Description	List Price	Installed List Price
715330020	Titan Trax, Titan 16, 84CA, same height length of body, one side, opposite crane box		\$685
715330021	Blank plate mounting kit, Titan 16		\$484
739185109	Mounting plate, Vanair Pro 35, Titan 16		\$680

Fuel & Fuel/DEF Cut-Outs			
Part Number	Description	List Price	Installed List Price
715320020	Fuel / DEF filler cut-outs (2 cut-outs)		\$357
715320021	Fuel cut-out RAM (1 cut-out)		\$191
715320022	Fuel cut-out only, Ford Chassis (1 cut-out)		\$197
715320026	Fuel cut-out only, Chevy Chassis (1 cut-out)		\$197

Body Installation Kits			
Part Number	Description	List Price	Installed List Price
560579000	Body installation kit (for Ford gas chassis and Ford F-350, F-450, and F-550 diesel chassis pre-2021)	\$587	
560579002	Body installation kit (for 2021 to present diesel Ford chassis)	\$961	
560579100	Body installation kit (for RAM chassis)	\$584	
560581000	Body installation kit (for International/Chevy chassis)	\$212	

Body Installation Charge			
Part Number	Description	List Price	Installed List Price
716851000	Install body on Class 5 and below chassis, includes mud flaps (Add to body part number if upfit at factory)		\$5,955

Crane Installation Charges			
Part Number	Description	List Price	Installed List Price
750678000	Install EC-2X, EHC-3.2, or EHC-4 crane (Add to crane part number if upfit at factory)		\$936
750679000	Install hydraulic crane (Add to crane part number if upfit at factory)		\$1,433

Equipment			
Part Number	Description	List Price	Installed List Price
750831000	ICC safety kit (Complies with FMVH Safety Standard No. 125, Sec. 571.125)	\$90.75	
750061000	Fire extinguisher (Complies with FMCS Regs. Sec. 393.95 – classification 2 – A:10-B:C unit)	\$174	
750681000	Backup safety alarm		\$330

# Titan 16 - 11' Body Accessories

PTO (For Factory Intalls Only)			
Part Number	Description	List Price	Installed List Price
736997000	PTO and installation for an automatic transmission		\$5,128
736998000	PTO and installation for a manual transmission		\$4,150

Spring Reinforcement			
Part Number	Description	List Price	Installed List Price
736995001	Spring reinforcement		\$2,358
738752115	Spring reinforcement, additional side		\$1,176

Hydraulic Reservoirs			
Part Number	Description	List Price	Installed List Price
751095070	36-gallon bulkhead reservoir to fit inside 50" wide cargo area with return filter and sight gauge	\$1,526	

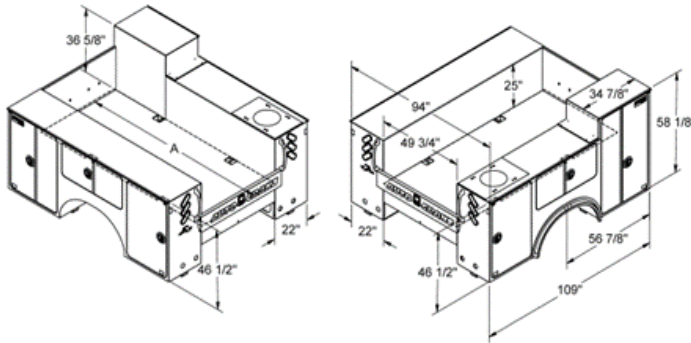
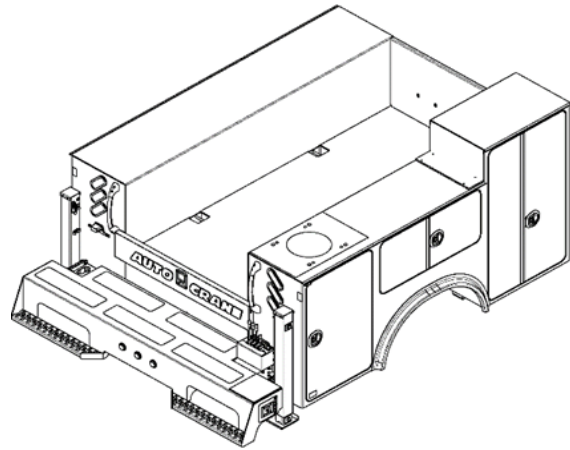
Hydraulic Installation Kits			
Part Number	Description	List Price	Installed List Price
367223200	Hydraulic Hose Kit for Ford F550 (Must also include the 560588010)	\$1,785	
367223210	Hydraulic Hose Kit for RAM - Single Pump (Must also include the 560588010)	\$1,924	
560588010	Priority flow valve w/ relief (Add to hose kit part number if upfit at factory)	\$1,090	
738489000	Install hydraulic components (Add to hose kit part number if upfit at factory)		Add \$1,518

Speed Control			
Part Number	Description	List Price	Installed List Price
480533000	Engine start / stop	\$177	
480535000	Engine start / stop (Includes above part number)		\$1,167
480534000	Auxiliary relay kit	\$139	
480536000	Auxiliary relay kit (Includes above part number)		\$950

Install Chassis Supplied Back-Up Camera			
Part Number	Description	List Price	Installed List Price
725692010	Install back-up camera that comes with chassis, RAM		\$110
725692020	Install back-up camera that comes with chassis, Ford		\$110
739409620	Install back-up camera that comes with chassis, International/Chevy		\$253

## Titan 38 - 9' Body (60" Cab-to-Axle)

- 11,200 GVWR
- One-piece 10 gauge side-pack design
- 12 gauge treadplate on tops and cargo area
- Three angled oval lights on the rear of the body
- Integral crane reinforcement up to 38,000 ft-lbs
- For cranes up to HC-7
- Large grab handles
- Fenderettes
- Flush door panels with bulb seal gasket
- Three-point latching system
- Rugged, durable interlocking channel frame
- Rounded door corners



Part Number	Description	List Price
739770002	TITAN 38 - 9' 46" RST 58" RSC	\$29,238

Length for "A" Dimension – Standard Bulkhead 107 5/8"

Not compatible with the HC-7X, HC-8, or HC-8x cranes

14,500 lbs. chassis required for cranes in excess of 25,000 ft. lbs.

**Note:** Depending on ancillary equipment, Titan 38, 60CA bodies on light duty trucks with cranes larger than 25,000 ft. lbs. may require either this leg or be placarded for reduced capacity on the crane side forward or rear outrigger. However, Auto Crane Titan 38 84" CA is fully stable with 38,000 ft.lb. 20 ft. boom crane without the use of the front corner jackleg if used with appropriate outriggers.

Bulkheads (Choose one with order)			
Part Number	Description	List Price	Installed List Price
739406051	Standard bulkhead (flush with the front of the body)		\$283
739406001	Recessed bulkhead (recessed back from the front of the body)		\$283

Standard Shelving (with shelf strips)			
Part Number	Description	List Price	Installed List Price
738830008	Shelving package with 5 adjustable shelves, 1 shelf with parts dividers, 1 shelf with book dividers		\$1,886
738830007	Shelving for front compartment left side or right side - 1 shelf		\$308
738830003	Shelving for horizontal compartment – right side - 1 shelf with tall dividers		\$395
738830004	Shelving for horizontal compartment - left side - 1 shelf with short dividers		\$388
738830006	Shelving for rear compartment opposite crane box - 3 shelves		\$429

Fully Adjustable Shelving (with shelf struts)			
Part Number	Description	List Price	Installed List Price
738830023	Fully adjustable shelving package with 7 adjustable shelves, the horizontal shelves have dividers (46" RST 58")		\$2,577

Toolboxes			
Part Number	Description	List Price	Installed List Price
739380100	Front compartment – Aluminum Toolbox (1) 7", (2) 5", (5) 3"	\$3,347	
760385100	Front compartment (Tall compartment only) – Aluminum Toolbox (2) 7", (2) 5", (5) 3"	\$3,960	
739380302	Horizontal compartment – Aluminum Toolbox (3) 3"	\$1,655	
739380303	Horizontal compartment – Aluminum Toolbox (4) 3"	\$1,920	
739380305	Horizontal compartment – Bolt Bin (15 bin)	\$2,418	
739380201	Rear compartment – Aluminum Toolbox (1) 7", (2) 5", (5) 3"	\$2,644	
716862000	Install toolbox (Add to part number above for each toolbox)		Add \$398

Oxygen/Acetylene Compartment Options			
Part Number	Description	List Price	Installed List Price
736233000	Three oxygen/acetylene bottle holders with hose holder		\$660
560483000	Oxy divider / shelving package, with shelf strips, for front compartment (fits 58" tall front compartment)		\$1,065
560483015	Oxy divider / shelving package, with shelf struts, for front compartment (fits 58" tall front compartment)		\$1,863
560206000	Drop-well Assembly (2" deep)		\$534

## Interior Lighting Options

<https://autocrane.us/product-category/accessories/lights/>

Part Number	Description	List Price	Installed List Price
475300155	LED interior compartment lighting, Right Side Crane	\$846	
716869000	Install compartment lighting (Add to part number above)		Add \$1,012

## Outriggers

Part Number	Description	List Price	Installed List Price
715321030	Shipping tube, to be ordered when outriggers are not installed		\$612
738896000	Full manual outriggers – Right Side Crane	\$3,634	
738493000	Full hydraulic outriggers – Right Side Crane	\$8,573	
738493300	Full hydraulic outriggers, remote mount valve bank - Right Side Crane	\$9,179	
716857000	Install outrigger (Add to part number above)		Add \$344

## Bumpers &amp; Accessories

Part Number	Description	List Price	Installed List Price
738750000	12" standard duty bumper – Right Side Crane	\$1,984	
738752000	20" workbench bumper (storage and vise plate) – Right Side Crane	\$3,336	
738752015	20" workbench bumper, no cut-out for valve bank - Right Side Crane	\$3,432	
716856000	Install bumper mounting plates (Add to part number above)		Add \$185
716856001	Install bumper (Add to bumper part number if it is a factory upfit, includes installing bumper mounting plates)		Add \$422

## Receiver Hitch

Part Number	Description	List Price	Installed List Price
738850112	Receiver hitch for 20" bumper		\$1,023

## Trailer Plugs

Part Number	Description	List Price	Installed List Price
739167005	Trailer wiring socket – 7 way spade	\$32.75	
716861400	Install trailer plug (Add to part number above)		Add \$430

Paint			
<a href="https://autocrane.us/product-category/accessories/coatings/">https://autocrane.us/product-category/accessories/coatings/</a>			
Part Number	Description	List Price	Installed List Price
750631000	(Auto Crane White) Painted on the outside & inside of the body		\$2,625
716881010	(Auto Crane White) Painted on the outside of the body and multicolor coating on the inside of the compartments		\$3,096
716863000	(Auto Crane White) -painted inside compartments only		\$934
716881020	Coating, multicolor - inside compartments only		\$1,493
900500000	Custom Paint		\$3,636

Titan Armor (In place of Paint)			
<a href="https://autocrane.us/product/titan-armor/">https://autocrane.us/product/titan-armor/</a>			
Part Number	Description	List Price	Installed List Price
750631012	Titan Armor, painted white on the outside, multicolor on the inside		\$6,302
750631010	Titan Armor, custom paint on the outside, multicolor on the inside		\$7,623

Bedliner			
<a href="https://autocrane.us/product-category/accessories/coatings/">https://autocrane.us/product-category/accessories/coatings/</a>			
Part Number	Description	List Price	Installed List Price
717510001	Bedliner - Floor and Sides Only		\$1,605
717510003	Bedliner - Floor, Sides and Compartment Tops		\$1,956
717510005	Bedliner - Workbench bumper		\$630
717510006	Arctic Package (rock guard coating for paint protection)		\$1,498
717510008	Bedliner - Front of Body		\$840

Boom Support			
Part Number	Description	List Price	Installed List Price
715064020	Boom support (EHC-3.2 & EHC-4 cranes)	\$479	
560195015	Boom support (EHC-5 – HC-14 cranes)	\$729	
716858000	Install boom support (Add to part number above)		Add \$169

Light Racks & Headache Racks (Ford & RAM)			
Part Number	Description	List Price	Installed List Price
739226009	Light rack - Titan 38 - left side standard, right side tall		\$1,060
739065115	Headache Rack – Titan 38 – left side standard, right side tall		\$2,821



# Titan 38 - 9' Body Accessories

Work Light Options			
Part Number	Description	List Price	Installed List Price
475300034	LED Work Light, square, 1600 lumens with bracket (use at rear of body & headache rack)	\$110	
475300037	LED Work Light, square, 1600 lumens (use with light rack)	\$57	
716861000	Install work lights (Add to part number above)		Add \$225

Underbody Lighting			
Part Number	Description	List Price	Installed List Price
475300425	Underbody Lighting , Kit, 9' Bodies		\$1,238

Master Locking Systems			
Part Number	Description	List Price	Installed List Price
738805006	Master lock system stainless/steel – RS Tall body		\$1,380

Body Installation Kits			
Part Number	Description	List Price	Installed List Price
560579000	Body installation kit (for Ford gas chassis and Ford F-350, F-450, and F-550 diesel chassis pre-2021)	\$587	
560579002	Body installation kit (for 2021 diesel F-550 & F-600 chassis)	\$961	
560579100	Body installation kit (for RAM chassis)	\$584	
560581000	Body installation kit (for International/Chevy chassis)	\$212	

Fuel & Fuel/DEF Cut-Outs			
Part Number	Description	List Price	Installed List Price
739188070	Fuel / DEF filler cut-outs (2 cut-outs)		\$357
739188080	Fuel cutout RAM (1 cut-out)		\$197
739188081	Fuel cutout International & Chevy (1 cut-out)		\$197
739188075	Fuel only cutout (Ford)		\$185
739320354	DEF filler bracket		\$188

Body Installation Charge			
Part Number	Description	List Price	Installed List Price
716851000	Install body on Class 5 and below chassis, includes mud flaps (Add to body part number if upfit at factory)		\$5,955

**Crane Installation Charges**

Part Number	Description	List Price	Installed List Price
750678000	Install EC-2X, EHC-3.2, or EHC-4 crane (Add to crane part number if upfit at factory)		\$936
750679000	Install hydraulic crane (Add to crane part number if upfit at factory)		\$1,433
360870000	Install EHC-5 or EHC-6 crane - includes battery and battery box (Add to crane part number if upfit at factory)		\$1,543

**Equipment**

Part Number	Description	List Price	Installed List Price
750831000	ICC safety kit (Complies with FMVH Safety Standard No. 125, Sec. 571.125)	\$90.75	
750061000	Fire extinguisher (Complies with FMCS Regs. Sec. 393.95 – classification 2 – A:10-B:C unit)	\$174	
750681000	Backup safety alarm		\$330

**Spring Reinforcement**

Part Number	Description	List Price	Installed List Price
736995001	Spring reinforcement		\$2,358
738752115	Spring reinforcement, additional side		\$1,176

**PTO (For Factory Installs Only)**

Part Number	Description	List Price	Installed List Price
736997000	PTO and installation for an automatic transmission		\$5,128
736998000	PTO and installation for a manual transmission		\$4,150

**Hydraulic Reservoirs**

Part Number	Description	List Price	Installed List Price
751095070	36-gallon bulkhead reservoir to fit inside 50" wide cargo area with return filter and sight gauge	\$1,526	

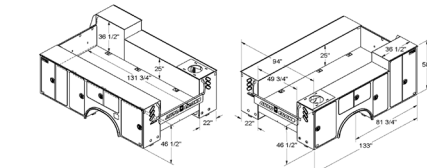
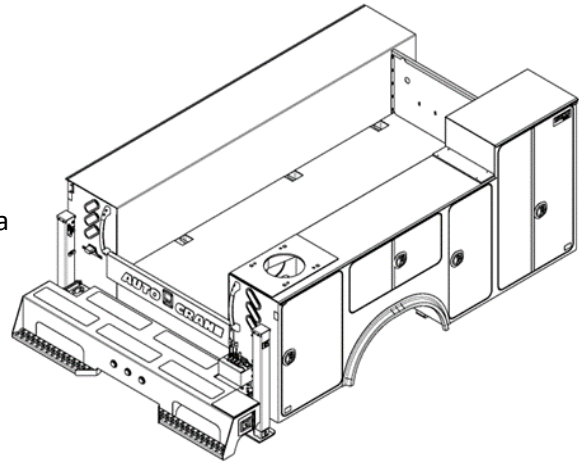
Hydraulic Installation Kits			
Part Number	Description	List Price	Installed List Price
367223200	Hydraulic Hose Kit for Ford F550 (Must also include the 560588010)	\$1,785	
367223210	Hydraulic Hose Kit for RAM - Single Pump (Must also include the 560588010)	\$1,924	
367223300	Hydraulic Hose Kit for International/Chevy - (Must also include the 560588010)	\$1,013	
560588010	Priority flow valve w/ relief (Add to hose kit part number if upfit at factory)	\$1,090	
738489000	Install hydraulic components (Add to hose kit part number if upfit at factory)		Add \$1,518

Speed Control			
Part Number	Description	List Price	Installed List Price
480533000	Engine start / stop (2 relays)	\$177	
480535000	Engine start / stop (Includes above part number)		\$1,167
480534000	Auxiliary relay kit (1 relay)	\$139	
480536000	Auxiliary relay kit (Includes above part number)		\$950

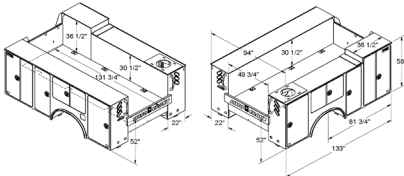
Install Chassis Supplied Back-Up Camera			
Part Number	Description	List Price	Installed List Price
725692010	Install back-up camera that comes with chassis, RAM		\$110
725692020	Install back-up camera that comes with chassis, Ford		\$110
739409620	Install back-up camera that comes with chassis, International/Chevy		\$253

# Titan 38 - 11' Body (Titan Connect Body) (84" Cab-to-Axle)

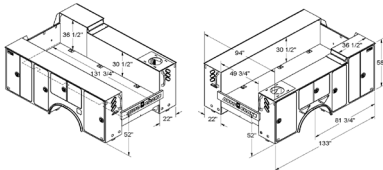
- 11,200 GVWR
- One-piece 10 gauge side-pack design
- 12 gauge treadplate on tops and cargo area
- Three angled oval lights on the rear of the body
- Integral crane reinforcement up to 52,000 ft-lbs off the rear of the body and 43,000 ft-lbs off the sides
- For cranes up to HC-8x
- Large grab handles
- Fenderettes
- Flush door panels with bulb seal gasket
- Three-point latching system
- Rugged, durable interlocking channel frame
- Rounded door corners
- One cut-out for fuel
- Comes with Titan Trax (top of left side pack)



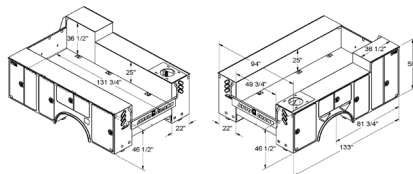
Part Number	Description	List Price
739322001	TITAN 38 - 11' 46" RST 58" RSC	\$32,164



Part Number	Description	List Price
739322002	TITAN 38 - 11' 52" RST 58" RSC	\$35,399



Part Number	Description	List Price
739322000	TITAN 38 - 11' 52" RST 58" RSC CB (with vent hood for oxy/acet)	\$36,122



Part Number	Description	List Price
739322006	TITAN 38 - 11' 46" RST 58" RSC CB	\$32,593

Length for "A" Dimension – Standard Bulkhead 131 5/8" – Recessed Bulkhead 123"

14,500 lbs. chassis required for cranes in excess of 25,000 ft. lbs.

\* HC-7x, HC-8, and HC-8x cranes must be equipped with 738493000 outriggers or equal

**\*\* Body does not come with a wiring harness.**

**Wiring harness comes with Titan Connect kit or add part number 560106003.**

# Titan 38 - 11' Body Accessories

Bulkheads (Choose one with order)			
Part Number	Description	List Price	Installed List Price
739406051	Standard bulkhead (flush with the front of the body)		\$283
739406001	Recessed bulkhead (recessed back from the front of the body)		\$283

Toolboxes			
Part Number	Description	List Price	Installed List Price
739380100	Front compartment – Aluminum Toolbox (1) 7", (2) 5", (5) 3"	\$3,347	
760385100	Front compartment (58" Tall compartment only) – Aluminum Toolbox (2) 7", (2) 5", (5) 3"	\$3,960	
739380201	Mid compartment – Aluminum Toolbox (1) 7", (2) 5", (5) 3"	\$2,644	
739380204	Mid compartment – Bolt Bin (18 bin)	\$2,897	
739380302	Horizontal compartment – Aluminum Toolbox (3) 3"	\$1,655	
739380303	Horizontal compartment – Aluminum Toolbox (4) 3"	\$1,920	
739380305	Horizontal compartment – Bolt Bin (15 bin)	\$2,418	
739380201	Rear compartment – Aluminum Toolbox (1) 7", (2) 5", (5) 3"	\$2,644	
716862000	Install toolbox (Add to part number above for each toolbox)		Add \$398

Standard Shelf Strip Shelving (by compartment) Choose the strip part number along with how many shelves for each compartment			
Part Number	Description	List Price	Installed List Price
750799005	Front compartment shelf strips (cannot be used if oxy/acet package is chosen)		\$60
738825000	Front compartment shelf for shelf strips (can choose 1 with a toolbox or up to 6 without a toolbox, also cannot be used with oxy/acet package)		\$128
750799005	Mid compartment shelf strips (cannot be used if oxy/acet package is chosen)		\$60
738741000	Mid compartment shelf for shelf strips (can choose 1 with a toolbox or up to 6 without a toolbox, also cannot be used with oxy/acet package)		\$98.25
750799006	Horizontal compartment shelf strips (cannot be used with a toolbox or bolt bin)		\$79
750799007	Horizontal shelf for shelf strips (can choose only 1)		\$187
750799004	Rear compartment shelf strips (non-crane compartment only)		\$60
750799009	Rear compartment shelf for shelf strips (non-crane compartment only - can choose 1 with a toolbox or up to 6 without a toolbox)		\$113

Fully Adjustable Shelf Strut Shelving (by compartment) Choose the strip part number along with how many shelves for each compartment			
Part Number	Description	List Price	Installed List Price
750799014	46" Front compartment shelf struts (cannot be used if oxy/acet package is chosen)		\$242
738830045	Front compartment shelf for shelf struts (can choose 1 with a toolbox or up to 6 without a toolbox, also cannot be used with oxy/acet package)		\$450
750799017	52" or 58" Front compartment shelf struts (cannot be used if oxy/acet package is chosen)		\$242
738830045	Front compartment shelf for shelf struts (can choose 1 with a toolbox or up to 6 without a toolbox, also cannot be used with oxy/acet package)		\$450
750799014	46" Mid compartment shelf struts (cannot be used if oxy/acet package is chosen)		\$242
738830046	Mid compartment shelf for shelf struts (can choose 1 with a toolbox or up to 6 without a toolbox, also cannot be used with oxy/acet package)		\$278
750799017	52" Mid compartment shelf struts (cannot be used if oxy/acet package is chosen)		\$242
738830046	Mid compartment shelf for shelf struts (can choose 1 with a toolbox or up to 6 without a toolbox, also cannot be used with oxy/acet package)		\$278
750799015	46" Horizontal compartment shelf struts (cannot be used with a toolbox or bolt bin)		\$97
738830047	Horizontal shelf for shelf struts (can choose only 1)		\$413
750799018	52" Horizontal compartment shelf struts (cannot be used with a toolbox or bolt bin)		\$108
738830047	Horizontal shelf for shelf struts (can choose 1 with a toolbox or bolt bin or up to 2 without a toolbox or bolt bin)		\$413
750799016	46" Rear compartment shelf struts (non-crane compartment only)		\$173
738830049	Rear compartment shelf for shelf struts (non-crane compartment only - can choose 1 with a toolbox or up to 6 without a toolbox)		\$314
750799019	52" Rear compartment shelf struts (non-crane compartment only)		\$242
738830049	Rear compartment shelf for shelf struts (non-crane compartment only - can choose 1 with a toolbox or up to 6 without a toolbox)		\$314

Boom Support			
Part Number	Description	List Price	Installed List Price
715064020	Boom support (EHC-3.2 & EHC-4 cranes)	\$479	
560195015	Boom support (EHC-5 – HC-14 cranes)	\$729	
716858000	Install boom support (Add to part number above)		Add \$169

Interior Lighting Options			
<a href="https://autocrane.us/product-category/accessories/lights/">https://autocrane.us/product-category/accessories/lights/</a>			
Part Number	Description	List Price	Installed List Price
475300157	LED interior compartment lighting for 46" tall bodies, RSC	\$1,250	
475300164	LED interior compartment lighting for 52" tall bodies, RSC	\$1,250	
716869000	Install compartment lighting (Add to part number above)		Add \$1,012
716869001	Install compartment lighting, Titan Connect (Add to part number		Add \$562

Underbody Lighting			
Part Number	Description	List Price	Installed List Price
475300420	Underbody Lighting , Kit, 11'		\$1,711

Oxygen/Acetylene Compartment Options			
Part Number	Description	List Price	Installed
736233000	Three oxygen/acetylene bottle holders with hose holder (for standard		\$660
560483000	Oxy divider / shelving package, with shelf strips, for front		\$1,065
560483015	Oxy divider / shelving package, with shelf struts, for front		\$1,863
560544000	Mid compartment oxygen/acetylene holder (2 bottles)		\$657
560206000	Drop-well Assembly (2" deep)		\$534
560446000	Mid compartment drop-well (2" deep)		\$695

Outriggers			
Part Number	Description	List Price	Installed List Price
715321030	Shipping tube, to be ordered when outriggers are not installed		\$612
738896000	Full manual outriggers – Right Side Crane (HC-7 and below)	\$3,634	
738493000	Full hydraulic outriggers – Right Side Crane (HC-8X and below)	\$8,573	
738493300	Full hydraulic outriggers, remote mount valve bank - Right Side Crane	\$9,179	
716857000	Install outrigger (Add to part number above)		Add \$344

**Bumpers & Accessories**

Part Number	Description	List Price	Installed List Price
738750000	12" standard duty bumper – Right Side Crane	\$1,984	
738752000	20" workbench bumper (storage and vise plate) – Right Side Crane	\$3,336	
738752015	20" workbench bumper, no cut-out for valve bank - Right Side Crane	\$3,432	
739175000	24" workbench bumper (storage and vise plate) – Right Side Crane	\$3,260	
716856000	Install bumper mounting plates (Add to part number above)		Add \$185
716856001	Install bumper (Add to bumper part number if it is a factory upfit, includes installing bumper mounting plates)		Add \$422

**Receiver Hitch**

Part Number	Description	List Price	Installed List Price
738850112	Receiver hitch for 20" bumper		\$1,023
738850113	Receiver hitch for 24" bumper		\$1,259

**Trailer Plugs**

Part Number	Description	List Price	Installed List Price
739167005	Trailer wiring socket – 7 way spade	\$32.75	
716861400	Install trailer plug (Add to part number above)		Add \$430

**E-Track**

Part Number	Description	List Price	Installed List Price
739098025	E-track, 2 rows, 2 sides		\$1,088.00

**Paint**

<https://autocrane.us/product-category/accessories/coatings/>

Part Number	Description	List Price	Installed List Price
750631000	(Auto Crane White) Painted on the outside and inside of the body		\$2,625
716881010	(Auto Crane White) Painted on the outside of the body and multicolor coating on the inside of the compartments		\$3,096
716863000	(Auto Crane White) -painted inside compartments only		\$934
716881020	Coating, multicolor - inside compartments only		\$1,493
900500000	Custom Paint		\$3,636

**Titan Armor (In place of Paint)**

<https://autocrane.us/product/titan-armor/>

Part Number	Description	List Price	Installed List Price
750631012	Titan Armor, painted white on the outside, multicolor on the inside		\$6,302
750631010	Titan Armor, custom paint on the outside, multicolor on the inside		\$7,623



Bedliner			
<a href="https://autocrane.us/product-category/accessories/coatings/">https://autocrane.us/product-category/accessories/coatings/</a>			
Part Number	Description	List Price	Installed List Price
717510001	Bedliner - Floor and Sides Only		\$1,605
717510003	Bedliner - Floor, Sides and Compartment Tops		\$1,956
717510005	Bedliner - Workbench bumper		\$630
717510006	Arctic Package (rock guard coating for paint protection)		\$1,498
717510008	Bedliner - Front of Body		\$840

Work Light Options			
Part Number	Description	List Price	Installed List Price
475300034	LED Work Light, square, 1600 lumens with bracket (use at rear of body & headache rack)	\$110	
475300037	LED Work Light, square, 1600 lumens (use with light rack)	\$57	
716861000	Install work lights (Add to part number above)		Add \$225

Light Racks & Headache Racks (Ford & RAM)			
Part Number	Description	List Price	Installed List Price
739226009	Light rack - Titan 38 - left side standard, right side tall		\$1,060
739317855	Light rack - Titan 38 - 58"/52" tall sides		\$979
739065115	Headache rack – Titan 38 – left side standard, right side tall		\$2,821
739065116	Headache rack - Titan 38 - 58"/52" tall sides		\$2,079

Master Locking Systems			
Part Number	Description	List Price	Installed List Price
738695100	Master lock system stainless/steel – RS Tall body		\$1,371
739317951	Master lock system stainless/steel – 58"/52" Tall body		\$1,361

Titan Trax Mounting Plates			
Part Number	Description	List Price	Installed List Price
739185037	Mounting plate, RC40 compressor		\$624
739185055	Mounting plate, AC40 and RS80 compressor		\$609
739185056	Mounting plate, RS85 compressor		\$538
739185057	Blank plate mounting kit, Titan 38-85		\$673
739185065	Mounting plate, EnPak and reservoir		\$1,376
739185070	Mountng plate, Vanair I300		\$1,283
739185075	Mounting plate, VMAC H40		\$483
739185088	Mounting plate, Miller Bobcat and Trailblazer		\$481

## Body Installation Kits (to be used with Titan Connect)

Part Number	Description	List Price	Installed List Price
560579001	Body installation kit (for Ford F-350, F-450, and F-550 chassis)	\$601	
560579101	Body installation kit (for RAM chassis)	\$516	
560579201	Body installation kit (for International/Chevy chassis)	\$335	

## Body Installation Kits (when Titan Connect is not used)

Part Number	Description	List Price	Installed List Price
560579000	Body installation kit (for Ford gas chassis and Ford F-350, F-450, and F-550 diesel chassis pre-2021)	\$587	
560579002	Body installation kit (for 2021 diesel F-550 & F-600 chassis)	\$961	
560579100	Body installation kit (for RAM chassis)	\$584	
560581000	Body installation kit (for International/Chevy chassis)	\$212	

## Body Installation Charge (to be used with Titan Connect)

Part Number	Description	List Price	Installed List Price
716870000	Install Titan Connect body on Class 5 and below chassis, includes mud flaps (Add to body part number if upfit at factory)		\$4,236

## Body Installation Charge (when Titan Connect is not used)

Part Number	Description	List Price	Installed List Price
716851000	Install body on Class 5 and below chassis, includes mud flaps (Add to body part number if upfit at factory)		\$5,955

## Crane Installation Charges

Part Number	Description	List Price	Installed List Price
750678000	Install EC-2X, EHC-3.2, or EHC-4 crane (Add to crane part number if upfit at factory)		\$936
750679000	Install hydraulic crane (Add to crane part number if upfit at factory)		\$1,433
360870000	Install EHC-5 or EHC-6 crane - includes battery and battery box (Add to crane part number if upfit at factory)		\$1,543

Equipment			
Part Number	Description	List Price	Installed List Price
750831000	ICC safety kit (Complies with FMVH Safety Standard No. 125, Sec. 571.125)	\$90.75	
750061000	Fire extinguisher (Complies with FMCS Regs. Sec. 393.95 – classification 2 – A:10-B:C unit)	\$174	
750681000	Backup safety alarm		\$330

PTO (For Factory Intalls Only)			
Part Number	Description	List Price	Installed List Price
736997000	PTO and installation for an automatic transmission		\$5,128
736998000	PTO and installation for a manual transmission		\$4,150

Spring Reinforcement			
Part Number	Description	List Price	Installed List Price
736995001	Spring reinforcement		\$2,358
738752115	Spring reinforcement, additional side		\$1,176

Hydraulic Reservoirs			
Part Number	Description	List Price	Installed List Price
751095070	36-gallon bulkhead reservoir to fit inside 50" wide cargo area with return filter and sight gauge	\$1,526	

Hydraulic Installation Kits			
Part Number	Description	List Price	Installed List Price
367223200	Hydraulic Hose Kit for Ford F550 (Must also include the 560588010)	\$1,785	
367223210	Hydraulic Hose Kit for RAM - Single Pump (Must also include the 560588010)	\$1,924	
367223300	Hydraulic Hose Kit for International/Chevy - (Must also include the 560588010)	\$1,013	
560588010	Priority flow valve w/ relief (Add to hose kit part number if upfit at factory)	\$1,090	
738489000	Install hydraulic components (Add to hose kit part number if upfit at factory)		Add \$1,518

Install Chassis Supplied Back-Up Camera			
Part Number	Description	List Price	Installed List Price
725692010	Install back-up camera that comes with chassis, RAM		\$110
725692020	Install back-up camera that comes with chassis, Ford		\$110
739409620	Install back-up camera that comes with chassis, International/Chevy		\$253

Speed Control (select when Titan Connect is not used)			
Part Number	Description	List Price	Installed List Price
480533000	Engine start / stop (2 relay)	\$177	
480535000	Engine start / stop (Includes above part number)		\$1,167
480534000	Auxiliary relay kit (1 relay)	\$139	
480536000	Auxiliary relay kit (Includes above part number)		\$950

Wiring Harness (select when Titan Connect is not used)			
Part Number	Description	List Price	Installed List Price
560106003	Wiring harness	\$884	

Titan Connect Adapter Harness			
Part Number	Description	List Price	Installed List Price
755501013	Adapter harness for RC40 compressor (for Titan Connect)	\$98.75	
475300367	Adapter harness for RC40-L compressor (for Titan Connect)	\$67.75	
475300046	Adapter harness for VMAC	\$604.00	
475300367	Adapter harness for RS85	\$67.75	

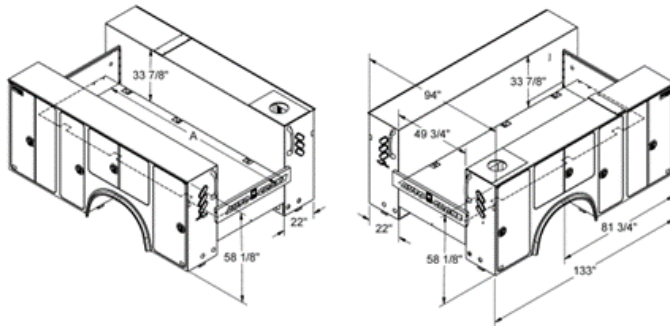
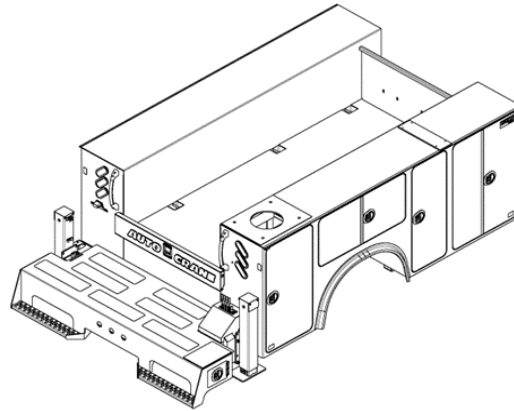
Titan Connect (for HC NexStar model cranes only)			
Part Number	Description	List Price	Installed List Price
475300350	Titan Connect, Kit, 11' bodies (comes with harness and keypad)	\$4,070	
475300360	Titan Connect, Kit, 11' bodies, Installed (Includes above part number)		\$6,095
475300361	Dealer Titan Connect kit (each upfit facility will need one of these for the programming of Titan Connect)	\$1,622	

Power On-Demand (used with Titan Connect only)			
Part Number	Description	List Price	Installed List Price
475300365	Power On-Demand		\$2,100

# Titan 60 - 11' Body

(82" Body-to-Axle, CA Chassis Dependent)

- 26,000 GVWR
- One-piece 10 gauge side-pack design
- 12 gauge treadplate on tops and cargo area
- Three angled oval lights on the rear of the body
- Integral crane reinforcement up to 60,000 ft. lbs.
- For cranes HC-10, and HC-12s
- Large grab handles
- Fenderette
- Flush door panels with bulb seal gasket
- Three-point latching system
- Rugged, durable interlocking channel frame
- Rounded door corners
- Comes with Titan Trax (top of left side pack)



Part Number	Description	List Price
760322002	Titan 60-11' – 58" Tall – RS Crane	\$35,550

Length for "A" Dimension – Standard Bulkhead 131 5/8" – Recessed Bulkhead 123"

**\*\* Body does not come with a wiring harness.  
Wiring harness comes with Titan Connect kit or add part number 560106003.**

Bulkheads (Choose one with order)			
Part Number	Description	List Price	Installed List Price
739406051	Standard bulkhead (flush with the front of the body)		\$283
739406001	Recessed bulkhead (recessed back from the front of the body)		\$283

Toolboxes			
Part Number	Description	List Price	Installed List Price
760385100	Front compartment – Aluminum Toolbox (2) 7", (2) 5", (5) 3"	\$3,960	
760585200	Mid compartment – Aluminum Toolbox (3) 7", (2) 5", (4) 3"	\$3,564	
739380204	Mid compartment – Bolt Bin (18 bin)	\$2,897	
760585301	Horizontal compartment – Aluminum Toolbox (3) 3"	\$2,514	
760585302	Horizontal compartment – Aluminum Toolbox (4) 3"	\$1,908	
760585303	Horizontal compartment – Aluminum Toolbox (5) 3"	\$2,256	
739380305	Horizontal compartment – Bolt Bin (15 bin)	\$2,418	
760585200	Rear compartment – Aluminum Toolbox (3) 7", (2) 5", (4) 3"	\$3,564	
716862000	Install toolbox (Add to part number above for each toolbox)		Add \$398

Standard Shelf Strip Shelving (by compartment) Choose the strip part number along with how many shelves for each compartment			
Part Number	Description	List Price	Installed List Price
750799020	Front compartment shelf strips (cannot be used if oxy/acet package is chosen)		\$60
560476000	Front compartment shelf for shelf strips (can choose 1 with a toolbox or up to 6 without a toolbox, also cannot be used with oxy/acet package)		\$130
750799020	Mid compartment shelf strips (cannot be used if oxy/acet package is chosen)		\$60
560477000	Mid compartment shelf for shelf strips (can choose 1 with a toolbox or up to 6 without a toolbox, also cannot be used with oxy/acet package)		\$85
750799006	Horizontal compartment shelf strips (cannot be used with a toolbox or bolt bin)		\$79
750799010	Horizontal shelf for shelf strips (can choose only 1)		\$193
750799021	Rear compartment shelf strips (non-crane compartment only)		\$60
750799012	Rear compartment shelf for shelf strips (non-crane compartment only - can choose 1 with a toolbox or up to 6 without a toolbox)		\$117

Fully Adjustable Shelf Strut Shelving (by compartment) Choose the strip part number along with how many shelves for each compartment			
Part Number	Description	List Price	Installed List Price
750799022	Front compartment shelf struts (cannot be used if oxy/acet package is chosen)		\$242
760710220	Front compartment shelf for shelf struts (can choose 1 with a toolbox or up to 6 without a toolbox, also cannot be used with oxy/acet package)		\$277
750799022	Mid compartment shelf struts (cannot be used if oxy/acet package is chosen)		\$242
760710207	Mid compartment shelf for shelf struts (can choose 1 with a toolbox or up to 6 without a toolbox, also cannot be used with oxy/acet package)		\$238
750799015	Horizontal compartment shelf struts (cannot be used with a toolbox or bolt bin)		\$97
738830047	Horizontal shelf for shelf struts (can choose only 1)		\$413
750799023	Horizontal compartment shelf struts (cannot be used with a toolbox or bolt bin)		\$110
760710210	Horizontal shelf for shelf struts (can choose 1 with a toolbox or bolt bin or up to 2 without a toolbox or bolt bin)		\$405
750799024	Rear compartment shelf struts (non-crane compartment only)		\$242
760710215	Rear compartment shelf for shelf struts (non-crane compartment only - can choose 1 with a toolbox or up to 6 without a toolbox)		\$304

Interior Lighting Options <a href="https://autocrane.us/product-category/accessories/lights/">https://autocrane.us/product-category/accessories/lights/</a>			
Part Number	Description	List Price	Installed List Price
475300138	Full Length LED interior compartment lighting for 58" tall bodies (48" vertical & 18" horizontal, 2 per double door compartments and 1 per single door compartments)	\$1,247	
716869000	Install interior lights (Add to part number above)		Add \$1,012
716869001	Install compartment lighting, Titan Connect (Add to part number above if Titan Connect is also being installed)	Add	\$562

Underbody Lighting			
Part Number	Description	List Price	Installed List Price
475300420	Underbody Lighting , Kit, 11' Bodies		\$1,711

# Titan 60 - 11' Body Accessories

Boom Support			
Part Number	Description	List Price	Installed List Price
715064020	Boom support (EHC-3.2 & EHC-4 cranes)	\$479	
560195015	Boom support (EHC-5 – HC-14 cranes)	\$729	
716858000	Install boom support (Add to part number above)		Add \$169

Master Locking Systems			
Part Number	Description	List Price	Installed List Price
560205010	Master lock system stainless/steel		\$1,381

Oxygen/Acetylene Compartment Options			
Part Number	Description	List Price	Installed List Price
736233000	Three oxygen/acetylene bottle holders with hose holder (for standard or tall compartment)		\$660
560483000	Oxy divider / shelving package, with shelf strips, for front compartment (fits 58" tall front compartment)		\$1,065
560483015	Oxy divider / shelving package, with shelf struts, for front compartment (fits 58" tall front compartment)		\$1,863
560544000	Mid compartment oxygen/acetylene holder (2 bottles)		\$657
560206000	Drop-well Assembly (2" deep)		\$534
560446000	Mid compartment drop-well (2" deep)		\$695

Outriggers			
Part Number	Description	List Price	Installed List Price
715321030	Shipping tube, to be ordered when outriggers are not installed		\$612
760431000	Full manual outriggers, Right Side Crane	\$8,384	
560570101	Full hydraulic outriggers, single slide - Right Side Crane*	\$10,334	
772020001	Full hydraulic outriggers – double slide - Right Side Crane	\$12,874	
772020010	Full hydraulic outriggers - remote valve bank - double slide - Right Side Crane	\$14,818	
716857000	Install outrigger (Add to part number above)		Add \$344

**Notes:**

\* The single slide outriggers have less than 100% capacity on truck sides to maintain stability



Bumpers & Accessories			
Part Number	Description	List Price	Installed List Price
772080000	30" workbench bumper for manual outriggers only (vise plate, storage area and integrated step) - Right Side Crane	\$4,066	
560460000	24" workbench bumper (vise plate, storage area and integrated step) – Right Side Crane (designed for single slide outrigger)	\$3,796	
560570115	30" workbench bumper (vise plate, storage area with drop down doors and integrated step) – Right Side Crane (designed for single slide outrigger)	\$5,073	
772059000	30" workbench bumper (vise plate, storage area and integrated step) – Right Side Crane (designed for double slide outrigger)	\$4,212	
772059006	30" workbench bumper, for remote mount valve bank - Right Side Crane (designed for double slide outrigger)	\$4,549	
716856000	Install bumper mounting plates (Add to part number above)		Add \$185
716856001	Install bumper (Add to bumper part number if it is a factory upfit, includes installing bumper mounting plates)		Add \$422

Receiver Hitch			
Part Number	Description	List Price	Installed List Price
760365010	Receiver hitch for 30" bumper (double slide outriggers)		\$1,100
760365025	Receiver hitch for 30" bumper (single slide outriggers)		\$1,419
560456010	Receiver hitch for 24" bumper (single slide outriggers)		\$1,045

Trailer Plugs			
Part Number	Description	List Price	Installed List Price
739167005	Trailer wiring socket – 7 way spade	\$32.75	
716861400	Install trailer plug (Add to part number above)		Add \$430

Paint			
<a href="https://autocrane.us/product-category/accessories/coatings/">https://autocrane.us/product-category/accessories/coatings/</a>			
Part Number	Description	List Price	Installed List Price
750631000	(Auto Crane White) Painted on the outside and inside of the body		\$2,625
716881010	(Auto Crane White) Painted on the outside of the body and multicolor coating on the inside of the compartments		\$3,096
716863000	(Auto Crane White) -painted inside compartments only		\$934
716881020	Coating, multicolor - inside compartments only		\$1,493
900500000	Custom Paint		\$3,636

# Titan 60 - 11' Body Accessories

Titan Armor (In place of Paint)			
<a href="https://autocrane.us/product/titan-armor/">https://autocrane.us/product/titan-armor/</a>			
Part Number	Description	List Price	Installed List Price
750631012	Titan Armor, painted white on the outside, multicolor on the inside		\$6,302
750631010	Titan Armor, custom paint on the outside, multicolor on the inside		\$7,623

Bedliner			
<a href="https://autocrane.us/product-category/accessories/coatings/">https://autocrane.us/product-category/accessories/coatings/</a>			
Part Number	Description	List Price	Installed List Price
717510001	Bedliner - Floor and Sides Only		\$1,605
717510003	Bedliner - Floor, Sides and Compartment Tops		\$1,956
717510005	Bedliner - Workbench bumper		\$630
717510006	Arctic Package (rock guard coating for paint protection)		\$1,498
717510008	Bedliner - Front of Body		\$840

Light Rack & Headache Racks			
Part Number	Description	List Price	Installed List Price
739317845	Light rack – 17 9/16” tall – Ford chassis		\$1,106
739317885	Light rack – 27” tall – Freightliner, Kenworth & International chassis		\$1,105
739317865	Light rack – 33” tall – Peterbilt & Hino chassis		\$1,368
560710106	Headache rack, Titan 38-85, 24 ½” tall		\$2,159

Work Light Options			
Part Number	Description	List Price	Installed List Price
475300034	LED Work Light, square, 1600 lumens with bracket (use at rear of body & headache rack)	\$110	
475300037	LED Work Light, square, 1600 lumens (use with light rack)	\$57	
716861000	Install work lights (Add to part number above)		Add \$225

Hand Rail Option (See pictures in next section)			
Part Number	Description	List Price	Installed List Price
560545004	Hand rail, from top left rear of body to bumper (30" bumper only)	\$470	
772061018	Install hand rail (Add to part number above)		Add \$173

E-Track			
Part Number	Description	List Price	Installed List Price
750796035	E-track, 2 rows, 2 sides		\$1,202.00

Titan Trax Struts Mounting Plates			
Part Number	Description	List Price	Installed List Price
739185037	Mounting plate, RC40 compressor		\$624
739185055	Mounting plate, AC40 and RS80 compressor		\$609
739185056	Mounting plate, RS85 compressor		\$538
739185057	Blank plate mounting kit, Titan 38-85		\$673
739185065	Mounting plate, EnPak and reservoir		\$1,376
739185070	Mountng plate, Vanair I300		\$1,283
739185075	Mounting plate, VMAC H40		\$483
739185088	Mounting plate, Miller Bobcat and Trailblazer		\$481

Body Installation Kits			
Part Number	Description	List Price	Installed List Price
560581000	Body installation kit	\$212	

Body Installation Charge (to be used with Titan Connect)			
Part Number	Description	List Price	Installed List Price
716870100	Install body on Class 6 & 7 chassis, includes mudflaps (Add to body part number if upfit at factory)		\$4,943

Body Installation Charge (when Titan Connect is not used)			
Part Number	Description	List Price	Installed List Price
716851001	Install body on Class 5 and below chassis, includes mud flaps (Add to body part number if upfit at factory)		\$6,934

Crane Installation Charges			
Part Number	Description	List Price	Installed List Price
750678000	Install EC-2X, EHC-3.2, or EHC-4 crane (Add to crane part number if upfit at factory)		\$936
750679000	Install hydraulic crane (Add to crane part number if upfit at factory)		\$1,433
360870000	Install EHC-5 or EHC-6 crane - includes battery and battery box (Add to crane part number if upfit at factory)		\$1,543

# Titan 60 - 11' Body Accessories

Equipment			
Part Number	Description	List Price	Installed List Price
750831000	ICC safety kit (Complies with FMVH Safety Standard No. 125, Sec. 571.125)	\$90.75	
750061000	Fire extinguisher (Complies with FMCS Regs. Sec. 393.95 – classification 2 – A:10-B:C unit)	\$174	
750681000	Backup safety alarm		\$330

PTO (For Factory Intalls Only)			
Part Number	Description	List Price	Installed List Price
736997000	PTO and installation for an automatic transmission		\$5,128
736998000	PTO and installation for a manual transmission		\$4,150

Spring Reinforcement			
Part Number	Description	List Price	Installed List Price
736995001	Spring reinforcement		\$2,358
738752115	Spring reinforcement, additional side		\$1,176

Hydraulic Reservoirs			
Part Number	Description	List Price	Installed List Price
751095070	36-gallon bulkhead reservoir to fit inside 50" wide cargo area with return filter and sight gauge	\$1,526	

Hydraulic Installation Kits			
Part Number	Description	List Price	Installed List Price
760485000	Hose kit for Titan 60	\$1,423	
560588010	Priority flow valve w/ relief for Ford Class 6-7 (Add to hose kit part number if upfit at factory on a Ford Class 6-7 chassis)	\$1,090	
738489000	Install hydraulic components (Add to hose kit part number if upfit at factory)		Add \$1,518

# Titan 60 - 11' Body Accessories

Speed Control (when Titan Connect is not used)			
Part Number	Description	List Price	Installed List Price
717535000	Relay Box Assembly	\$1,400	
716893001	Install relay box (Add to relay box assembly part number if upfit at factory)		Add \$1,471
717515000	Power Switch Control Panel Assembly	\$646	
716893002	Install control panel (Add to control panel assembly part number if upfit at factory)		Add \$1,031
717514000	Stand for Control Panel (include with above part number if mounting in cab of chassis)	\$384	

Wiring Harness (select when Titan Connect is not used)			
Part Number	Description	List Price	Installed List Price
560106003	Wiring harness	\$884	

Compressor Adapter Harness (use with Titan Connect)			
Part Number	Description	List Price	Installed List Price
755501013	Adapter harness for RC40 compressor	\$98.75	
475300367	Adapter harness for RC40-L compressor	\$67.75	
475300046	Adapter harness for VMAC	\$604.00	
475300367	Adapter harness for RS85	\$67.75	

Titan Connect			
Part Number	Description	List Price	Installed List Price
475300350	Titan Connect, Kit, 11' bodies (comes with harness and keypad)	\$4,070	
475300360	Titan Connect, Kit, 11' bodies, Installed (Includes above part number)		\$6,095
475300361	Dealer Titan Connect kit (each upfit facility will need one of these for the programming of Titan Connect)	\$1,622	

Chassis Adapter Harness (use with Titan Connect)			
Part Number	Description	List Price	Installed List Price
475301355	Adapter harness, tail light, Freightliner	\$115	
475301380	Adapter harness, tail light, Peterbilt & Kenworth	\$389	
475300366	Adapter harness, tail light, Mack	\$102	
475301357	Adapter harness, tail light, International	\$162	
475301358	Adapter harness, tail light, Ford Class 6-7	\$189	

# Titan 60 - 11' Body Accessories

Bodies

## Additional Keypad for Cab (used with Titan Connect)

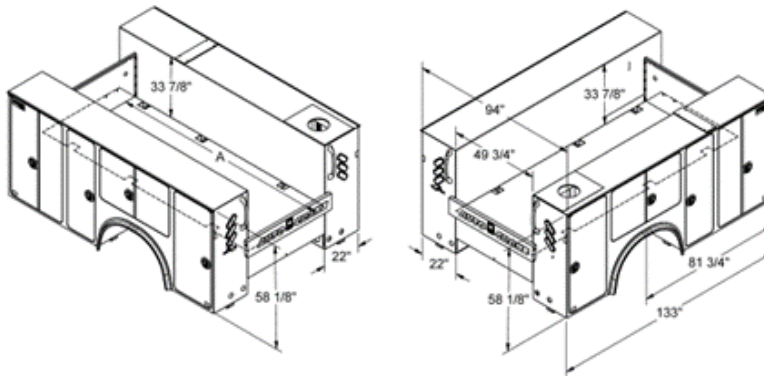
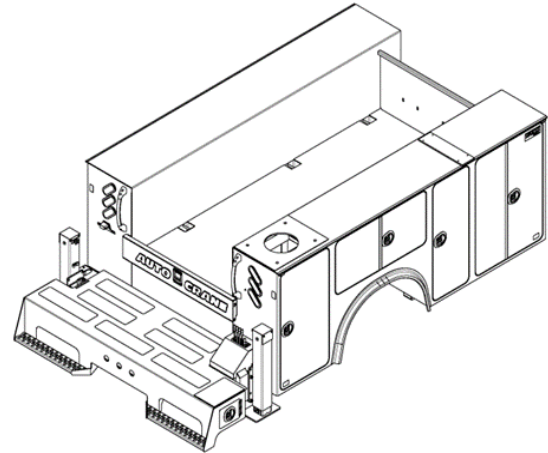
Part Number	Description	List Price	Installed List Price
475301356	Keypad and mount for cab	\$708	

## Power On-Demand (used with Titan Connect only)

Part Number	Description	List Price	Installed List Price
475300365	Power On-Demand		\$2,100

## Titan 85 - 11' Body (82" Body-to-Axle, CA Chassis Dependent)

- 26,000 GVWR
- One-piece 10 gauge side-pack design
- 12 gauge treadplate on tops and cargo area
- Three angled oval lights on the rear of the body
- Integral crane reinforcement up to 85,000 ft. lbs.
- For cranes HC-12
- Large grab handles
- Fenderette
- Flush door panels with bulb seal gasket
- Three-point latching system
- Rugged, durable interlocking channel frame
- Rounded door corners
- Comes with Titan Trax (top of left side pack)



Part Number	Description	List Price
772322102	Titan 85-11' – 58" Tall – RS Crane	\$36,986

Length for "A" Dimension – Standard Bulkhead 131 5/8" – Recessed Bulkhead 123"

**\*\* Body does not come with a wiring harness.**

**Wiring harness comes with Titan Connect kit or add part number 560106003.**

Bulkheads (Choose one with order)			
Part Number	Description	List Price	Installed List Price
739406051	Standard bulkhead (flush with the front of the body)		\$283
739406001	Recessed bulkhead (recessed back from the front of the body)		\$283

Toolboxes			
Part Number	Description	List Price	Installed List Price
760385100	Front compartment – Aluminum Toolbox (2) 7", (2) 5", (5) 3"	\$3,960	
760585200	Mid compartment – Aluminum Toolbox (3) 7", (2) 5", (4) 3"	\$3,564	
739380204	Mid compartment – Bolt Bin (18 bin)	\$2,897	
760585301	Horizontal compartment – Aluminum Toolbox (3) 3"	\$2,514	
760585302	Horizontal compartment – Aluminum Toolbox (4) 3"	\$1,908	
760585303	Horizontal compartment – Aluminum Toolbox (5) 3"	\$2,256	
739380305	Horizontal compartment – Bolt Bin (15 bin)	\$2,418	
760585200	Rear compartment – Aluminum Toolbox (3) 7", (2) 5", (4) 3"	\$3,564	
716862000	Install toolbox (Add to part number above for each toolbox)		Add \$398

Standard Shelf Strip Shelving (by compartment) Choose the strip part number along with how many shelves for each compartment			
Part Number	Description	List Price	Installed List Price
750799020	Front compartment shelf strips (cannot be used if oxy/acet package is chosen)		\$60
560476000	Front compartment shelf for shelf strips (can choose 1 with a toolbox or up to 6 without a toolbox, also cannot be used with oxy/acet package)		\$130
750799020	Mid compartment shelf strips (cannot be used if oxy/acet package is chosen)		\$60
560477000	Mid compartment shelf for shelf strips (can choose 1 with a toolbox or up to 6 without a toolbox, also cannot be used with oxy/acet package)		\$85
750799006	Horizontal compartment shelf strips (cannot be used with a toolbox or bolt bin)		\$79
750799010	Horizontal shelf for shelf strips (can choose only 1)		\$193
750799021	Rear compartment shelf strips (non-crane compartment only)		\$60
750799012	Rear compartment shelf for shelf strips (non-crane compartment only - can choose 1 with a toolbox or up to 6 without a toolbox)		\$117



Fully Adjustable Shelf Strut Shelving (by compartment) Choose the strip part number along with how many shelves for each compartment			
Part Number	Description	List Price	Installed List Price
750799022	Front compartment shelf struts (cannot be used if oxy/acet package is chosen)		\$242
760710220	Front compartment shelf for shelf struts (can choose 1 with a toolbox or up to 6 without a toolbox, also cannot be used with oxy/acet package)		\$277
750799022	Mid compartment shelf struts (cannot be used if oxy/acet package is chosen)		\$242
760710207	Mid compartment shelf for shelf struts (can choose 1 with a toolbox or up to 6 without a toolbox, also cannot be used with oxy/acet package)		\$238
750799015	Horizontal compartment shelf struts (cannot be used with a toolbox or bolt bin)		\$97
738830047	Horizontal shelf for shelf struts (can choose only 1)		\$413
750799023	Horizontal compartment shelf struts (cannot be used with a toolbox or bolt bin)		\$110
760710210	Horizontal shelf for shelf struts (can choose 1 with a toolbox or bolt bin or up to 2 without a toolbox or bolt bin)		\$405
750799024	Rear compartment shelf struts (non-crane compartment only)		\$242
760710215	Rear compartment shelf for shelf struts (non-crane compartment only - can choose 1 with a toolbox or up to 6 without a toolbox)		\$304

Interior Lighting Options <a href="https://autocrane.us/product-category/accessories/lights/">https://autocrane.us/product-category/accessories/lights/</a>			
Part Number	Description	List Price	Installed List Price
475300138	Full Length LED interior compartment lighting for 58" tall bodies (48" vertical & 18" horizontal, 2 per double door compartments and 1 per single door compartments)	\$1,247	
716869000	Install interior lights (Add to part number above)		Add \$1,012
716869001	Install compartment lighting, Titan Connect (Add to part number above if Titan Connect is also being installed)	Add	\$562

Underbody Lighting			
Part Number	Description	List Price	Installed List Price
475300420	Underbody Lighting , Kit, 11' Bodies		\$1,711

# Titan 85 - 11' Body Accessories

Boom Support			
Part Number	Description	List Price	Installed List Price
715064020	Boom support (EHC-3.2 & EHC-4 cranes)	\$479	
560195015	Boom support (EHC-5 – HC-14 cranes)	\$729	
716858000	Install boom support (Add to part number above)		Add \$169

Master Locking Systems			
Part Number	Description	List Price	Installed List Price
560205010	Master lock system stainless/steel		\$1,381

Oxygen/Acetylene Compartment Options			
Part Number	Description	List Price	Installed List Price
736233000	Three oxygen/acetylene bottle holders with hose holder (for standard or tall compartment)		\$660
560483000	Oxy divider / shelving package, with shelf strips, for front compartment (fits 58" tall front compartment)		\$1,065
560483015	Oxy divider / shelving package, with shelf struts, for front compartment (fits 58" tall front compartment)		\$1,863
560544000	Mid compartment oxygen/acetylene holder (2 bottles)		\$657
560206000	Drop-well Assembly (2" deep)		\$534
560446000	Mid compartment drop-well (2" deep)		\$695

Outriggers			
Part Number	Description	List Price	Installed List Price
715321030	Shipping tube, to be ordered when outriggers are not installed		\$612
772020001	Full hydraulic outriggers – double slide - Right Side Crane	\$12,874	
772020010	Full hydraulic outriggers - remote valve bank - double slide - Right Side Crane	\$14,818	
716857000	Install outrigger (Add to part number above)		Add \$344

Bumpers & Accessories			
Part Number	Description	List Price	Installed List Price
772059000	30" workbench bumper (vise plate, storage area and integrated step) – Right Side Crane (designed for double slide outrigger)	\$4,212	
772059006	30" workbench bumper, for remote mount valve bank - Right Side Crane (designed for double slide outrigger)	\$4,549	
716856000	Install bumper mounting plates (Add to part number above)		Add \$185
716856001	Install bumper (Add to bumper part number if it is a factory upfit, includes installing bumper mounting plates)		Add \$422

# Titan 85 - 11' Body Accessories

Receiver Hitch			
Part Number	Description	List Price	Installed List Price
760365010	Receiver hitch for 30" bumper (double slide outriggers)		\$1,100

Trailer Plugs			
Part Number	Description	List Price	Installed List Price
739167005	Trailer wiring socket – 7 way spade	\$32.75	
716861400	Install trailer plug (Add to part number above)		Add \$430

Paint			
<a href="https://autocrane.us/product-category/accessories/coatings/">https://autocrane.us/product-category/accessories/coatings/</a>			
Part Number	Description	List Price	Installed List Price
750631000	(Auto Crane White) Painted on the outside and inside of the body		\$2,625
716881010	(Auto Crane White) Painted on the outside of the body and multicolor coating on the inside of the compartments		\$3,096
716863000	(Auto Crane White) -painted inside compartments only		\$934
716881020	Coating, multicolor - inside compartments only		\$1,493
900500000	Custom Paint		\$3,636

Titan Armor (In place of Paint)			
<a href="https://autocrane.us/product/titan-armor/">https://autocrane.us/product/titan-armor/</a>			
Part Number	Description	List Price	Installed List Price
750631012	Titan Armor, painted white on the outside, multicolor on the inside		\$6,302
750631010	Titan Armor, custom paint on the outside, multicolor on the inside		\$7,623

Bedliner			
<a href="https://autocrane.us/product-category/accessories/coatings/">https://autocrane.us/product-category/accessories/coatings/</a>			
Part Number	Description	List Price	Installed List Price
717510001	Bedliner - Floor and Sides Only		\$1,605
717510003	Bedliner - Floor, Sides and Compartment Tops		\$1,956
717510005	Bedliner - Workbench bumper		\$630
717510006	Arctic Package (rock guard coating for paint protection)		\$1,498
717510008	Bedliner - Front of Body		\$840

Light Racks & Headache Racks			
Part Number	Description	List Price	Installed List Price
739317845	Light rack – 17 9/16" tall – Ford chassis		\$1,106
739317885	Light rack – 27" tall – Freightliner, Kenworth & International chassis		\$1,105
739317865	Light rack – 33" tall – Peterbilt & Hino chassis		\$1,368
560710106	Headache rack, Titan 38-85, 24 1/2" tall		\$2,159

# Titan 85 - 11' Body Accessories

Work Light Options			
Part Number	Description	List Price	Installed List Price
475300034	LED Work Light, square, 1600 lumens with bracket (use at rear of body & headache rack)	\$110	
475300037	LED Work Light, square, 1600 lumens (use with light rack)	\$57	
716861000	Install work lights (Add to part number above)		Add \$225

Hand Rail Option (See pictures in next section)			
Part Number	Description	List Price	Installed List Price
560545004	Hand rail, from top left rear of body to bumper	\$470	
772061018	Install hand rail (Add to part number above)		Add \$173

E-Track			
Part Number	Description	List Price	Installed List Price
750796035	E-track, 2 rows, 2 sides		\$1,202.00

Titan Trax Struts Mounting Plates			
Part Number	Description	List Price	Installed List Price
739185037	Mounting plate, RC40 compressor		\$624
739185055	Mounting plate, AC40 and RS80 compressor		\$609
739185056	Mounting plate, RS85 compressor		\$538
739185057	Blank plate mounting kit, Titan 38-85		\$673
739185065	Mounting plate, EnPak and reservoir		\$1,376
739185070	Mountng plate, Vanair I300		\$1,283
739185075	Mounting plate, VMAC H40		\$483
739185088	Mounting plate, Miller Bobcat and Trailblazer		\$481

Body Installation Kits			
Part Number	Description	List Price	Installed List Price
560581000	Body installation kit	\$212	

Body Installation Charge (to be used with Titan Connect)			
Part Number	Description	List Price	Installed List Price
716870100	Install body on Class 6 & 7 chassis, includes mudflaps (Add to body part number if upfit at factory)		\$4,943

# Titan 85 - 11' Body Accessories

Body Installation Charge (when Titan Connect is not used)			
Part Number	Description	List Price	Installed List Price
716851001	Install body on Class 5 and below chassis, includes mud flaps (Add to body part number if upfit at factory)		\$6,934

Crane Installation Charges			
Part Number	Description	List Price	Installed List Price
750679000	Install hydraulic crane (Add to crane part number if upfit at factory)		\$1,433
360870000	Install EHC-5 or EHC-6 crane - includes battery and battery box (Add to crane part number if upfit at factory)		\$1,543

Equipment			
Part Number	Description	List Price	Installed List Price
750831000	ICC safety kit (Complies with FMVH Safety Standard No. 125, Sec. 571.125)	\$90.75	
750061000	Fire extinguisher (Complies with FMCS Regs. Sec. 393.95 – classification 2 – A:10-B:C unit)	\$174	
750681000	Backup safety alarm		\$330

PTO (For Factory Intalls Only)			
Part Number	Description	List Price	Installed List Price
736997000	PTO and installation for an automatic transmission		\$5,128
736998000	PTO and installation for a manual transmission		\$4,150

Spring Reinforcement			
Part Number	Description	List Price	Installed List Price
736995001	Spring reinforcement		\$2,358
738752115	Spring reinforcement, additional side		\$1,176

Hydraulic Reservoirs			
Part Number	Description	List Price	Installed List Price
751095070	36-gallon bulkhead reservoir to fit inside 50" wide cargo area with return filter and sight gauge	\$1,526	

# Titan 85 - 11' Body Accessories

Hydraulic Installation Kits			
Part Number	Description	List Price	Installed List Price
760485000	Hose kit for Titan 85	\$1,423	
560588010	Priority flow valve w/ relief for Ford Class 6-7 (Add to hose kit part number if upfit at factory on a Ford Class 6-7 chassis)	\$1,090	
738489000	Install hydraulic components (Add to hose kit part number if upfit at factory)		Add \$1,518

Speed Control (when Titan Connect is not used)			
Part Number	Description	List Price	Installed List Price
717535000	Relay Box Assembly	\$1,400	
716893001	Install relay box (Add to relay box assembly part number if upfit at factory)		Add \$1,471
717515000	Power Switch Control Panel Assembly	\$646	
716893002	Install control panel (Add to control panel assembly part number if upfit at factory)		Add \$1,031
717514000	Stand for Control Panel (include with above part number if mounting in cab of chassis)	\$384	

Wiring Harness (select when Titan Connect is not used)			
Part Number	Description	List Price	Installed List Price
560106003	Wiring harness	\$884	

Compressor Adapter Harness (use with Titan Connect)			
Part Number	Description	List Price	Installed List Price
755501013	Adapter harness for RC40 compressor	\$98.75	
475300367	Adapter harness for RC40-L compressor	\$67.75	
475300046	Adapter harness for VMAC	\$604	
475300367	Adapter harness for RS85	\$67.75	

Titan Connect			
Part Number	Description	List Price	Installed List Price
475300350	Titan Connect, Kit, 11' bodies (comes with harness and keypad)	\$4,070	
475300360	Titan Connect, Kit, 11' bodies, Installed (Includes above part number)		\$6,095
475300361	Dealer Titan Connect kit (each upfit facility will need one of these for the programming of Titan Connect)	\$1,622	

# Titan 85 - 11' Body Accessories

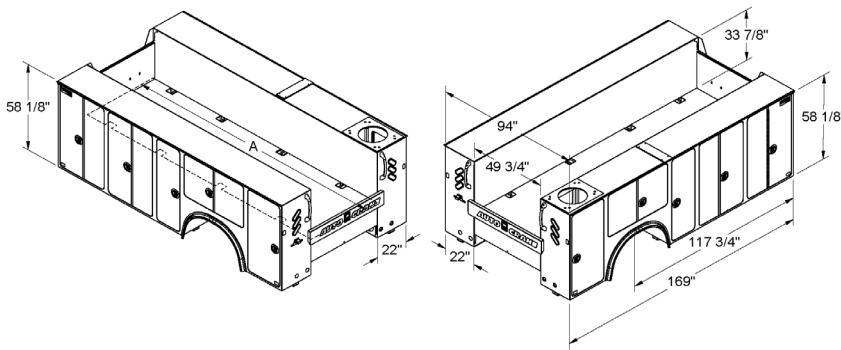
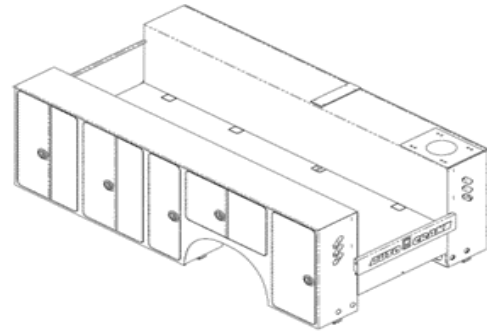
<b>Chassis Adapter Harness (use with Titan Connect)</b>			
<b>Part Number</b>	<b>Description</b>	<b>List Price</b>	<b>Installed List Price</b>
475301355	Adapter harness, tail light, Freightliner	\$115	
475301380	Adapter harness, tail light, Peterbilt & Kenworth	\$389	
475300366	Adapter harness, tail light, Mack	\$102	
475301357	Adapter harness, tail light, International	\$162	
475301358	Adapter harness, tail light, Ford Class 6-7	\$189	

<b>Additional Keypad for Cab (used with Titan Connect)</b>			
<b>Part Number</b>	<b>Description</b>	<b>List Price</b>	<b>Installed List Price</b>
475301356	Keypad and mount for cab	\$708	

<b>Power On-Demand (used with Titan Connect only)</b>			
<b>Part Number</b>	<b>Description</b>	<b>List Price</b>	<b>Installed List Price</b>
475300365	Power On-Demand		\$2,100

## Titan 85 - 14' Body (118" Body-to-Axle, CA Chassis Dependent)

- 33,000 GVWR
- One-piece 10 gauge side-pack design
- 12 gauge treadplate on tops and cargo area
- Three angled oval lights on the rear of the body
- Integral crane reinforcement up to 85,000 ft. lbs.
- For cranes HC-12 and HC-14
- Large grab handles
- Fenderette
- Flush door panels with bulb seal gasket
- Three-point latching system
- Rugged, durable interlocking channel frame
- Rounded door corners
- Comes with Titan Trax (top of left side pack)



Part Number	Description	List Price
772322001	Titan 85-14' – 58" Tall – RS Crane	\$40,700

Length for "A" Dimension – Standard Bulkhead 167 5/8" – Recessed Bulkhead 159"

**\*\* Body does not come with a wiring harness.**

**Wiring harness comes with Titan Connect kit or add part number 560106003.**



<b>Bulkheads (Choose one with order)</b>			
<b>Part Number</b>	<b>Description</b>	<b>List Price</b>	<b>Installed List Price</b>
739406051	Standard bulkhead (flush with the front of the body)		\$283
739406001	Recessed bulkhead (recessed back from the front of the body)		\$283

<b>Toolboxes</b>			
<b>Part Number</b>	<b>Description</b>	<b>List Price</b>	<b>Installed List Price</b>
760385100	Front compartment – Aluminum Toolbox (2) 7", (2) 5", (5) 3"	\$3,960	
760585200	Mid compartment – Aluminum Toolbox (3) 7", (2) 5", (4) 3"	\$3,564	
739380204	Mid compartment – Bolt Bin (18 bin)	\$2,897	
760585301	Horizontal compartment – Aluminum Toolbox (3) 3"	\$2,514	
760585302	Horizontal compartment – Aluminum Toolbox (4) 3"	\$1,908	
760585303	Horizontal compartment – Aluminum Toolbox (5) 3"	\$2,256	
739380305	Horizontal compartment – Bolt Bin (15 bin)	\$2,418	
760585200	Rear compartment – Aluminum Toolbox (3) 7", (2) 5", (4) 3"	\$3,564	
716862000	Install toolbox (Add to part number above for each toolbox)		Add \$398

<b>Standard Shelf Strip Shelving (by compartment) Choose the strip part number along with how many shelves for each compartment</b>			
<b>Part Number</b>	<b>Description</b>	<b>List Price</b>	<b>Installed List Price</b>
750799020	Front 1st & 2nd compartment shelf strips (cannot be used if oxy/acet package is chosen)		\$60
560476000	Front 1st & 2nd compartment shelf for shelf strips (can choose 1 with a toolbox or up to 6 without a toolbox, also cannot be used with oxy/acet package)		\$130
750799020	Mid compartment shelf strips (cannot be used if oxy/acet package is chosen)		\$60
760538000	Mid compartment shelf for shelf strips (can choose 1 with a toolbox or up to 6 without a toolbox, also cannot be used with oxy/acet package)		\$134
750799006	Horizontal compartment shelf strips (cannot be used with a toolbox or bolt bin)		\$79
750799010	Horizontal shelf for shelf strips (can choose only 1)		\$193
750799021	Rear compartment shelf strips (non-crane compartment only)		\$60
750799012	Rear compartment shelf for shelf strips (non-crane compartment only - can choose 1 with a toolbox or up to 6 without a toolbox)		\$117

Fully Adjustable Shelf Strut Shelving (by compartment) Choose the strip part number along with how many shelves for each compartment			
Part Number	Description	List Price	Installed List Price
750799022	Front 1st & 2nd compartment shelf struts (cannot be used if oxy/acet package is chosen)		\$242
760710220	Front 1st & 2nd compartment shelf for shelf struts (can choose 1 with a toolbox or up to 6 without a toolbox, also cannot be used with oxy/acet package)		\$277
750799022	Mid compartment shelf struts (cannot be used if oxy/acet package is chosen)		\$242
760537007	Mid compartment shelf for shelf struts (can choose 1 with a toolbox or up to 6 without a toolbox, also cannot be used with oxy/acet package)		\$238
750799023	Horizontal compartment shelf struts (cannot be used with a toolbox or bolt bin)		\$110
760710210	Horizontal shelf for shelf struts (can choose 1 with a toolbox or bolt bin or up to 2 without a toolbox or bolt bin)		\$405
750799024	Rear compartment shelf struts (non-crane compartment only)		\$242
760710215	Rear compartment shelf for shelf struts (non-crane compartment only - can choose 1 with a toolbox or up to 6 without a toolbox)		\$304

Interior Lighting Options <a href="https://autocrane.us/product-category/accessories/lights/">https://autocrane.us/product-category/accessories/lights/</a>			
Part Number	Description	List Price	Installed List Price
475300145	Full Length LED interior compartment lighting for 58" tall full length bodies (1) 48" light per vertical & 18" horizontal & crane compartment	\$1,191	
716869000	Install interior lighting (Add to part number above)		Add \$1,012

Underbody Lighting			
Part Number	Description	List Price	Installed List Price
475300380	Underbody Lighting , Kit, 14' Bodies		\$2,033

# Titan 85 - 14' Body Accessories

Oxygen/Acetylene Compartment Options			
Part Number	Description	List Price	Installed List Price
736233000	Three oxygen/acetylene bottle holders with hose holder (for standard or tall compartment)		\$660
560483000	Oxy divider / shelving package, with shelf strips, for front compartment (fits 58" tall front compartment)		\$1,065
560483015	Oxy divider / shelving package, with shelf struts, for front compartment (fits 58" tall front compartment)		\$1,863
560544000	Mid compartment oxygen/acetylene holder (2 bottles)		\$657
560206000	Drop-well Assembly (2" deep)		\$534
560446000	Mid compartment drop-well (2" deep)		\$695

Outriggers			
Part Number	Description	List Price	Installed List Price
715321030	Shipping tube, to be ordered when outriggers are not installed		\$612
772020001	Full hydraulic outriggers – double slide - Right Side Crane	\$12,874	
772020010	Full hydraulic outriggers - remote valve bank - double slide - Right Side Crane	\$14,818	
716857000	Install outrigger (Add to part number above)		Add \$344

Bumpers & Accessories			
Part Number	Description	List Price	Installed List Price
772059000	30" workbench bumper (vise plate, storage area and integrated step) – Right Side Crane	\$4,212	
772059006	30" workbench bumper, for remote mount valve bank - Right Side Crane	\$4,549	
716856000	Install bumper mounting plates (Add to part number above)		Add \$185
716856001	Install bumper (Add to bumper part number if it is a factory upfit, includes installing bumper mounting plates)		Add \$422

Receiver Hitch			
Part Number	Description	List Price	Installed List Price
760365010	Receiver hitch for 30" bumper		\$1,100

Trailer Plugs			
Part Number	Description	List Price	Installed List Price
739167005	Trailer wiring socket – 7 way spade	\$32.75	
716861400	Install trailer plug (Add to part number above)		Add \$430

Paint			
<a href="https://autocrane.us/product-category/accessories/coatings/">https://autocrane.us/product-category/accessories/coatings/</a>			
Part Number	Description	List Price	Installed List Price
716881000	(Auto Crane White) Painted on the outside and inside of the body		\$3,050
716881030	(Auto Crane White) Painted on the outside of the body and multicolor coating on the inside of the compartments		\$3,601
716863000	(Auto Crane White) -painted inside compartments only		\$934
716881040	Coating, multicolor - inside compartments only		\$1,575
900502000	Custom Paint		\$4,502

Titan Armor (In place of Paint)			
<a href="https://autocrane.us/product/titan-armor/">https://autocrane.us/product/titan-armor/</a>			
Part Number	Description	List Price	Installed List Price
750631012	Titan Armor, painted white on the outside, multicolor on the inside		\$6,302
750631010	Titan Armor, custom paint on the outside, multicolor on the inside		\$7,623

Bedliner			
<a href="https://autocrane.us/product-category/accessories/coatings/">https://autocrane.us/product-category/accessories/coatings/</a>			
Part Number	Description	List Price	Installed List Price
717510002	Bedliner - Floor and Sides Only		\$1,773
717510004	Bedliner - Floor, Sides and Compartment Tops		\$2,154
717510005	Bedliner - Workbench bumper		\$630
717510007	Arctic Package (rock guard coating for paint protection)		\$1,687
717510008	Bedliner - Front of Body		\$840

Boom Support			
Part Number	Description	List Price	Installed List Price
560195015	Boom support (EHC-5 – HC-14 cranes)	\$729	
716858000	Install boom support (Add to part number above)		Add \$169

Light Racks & Headache Racks			
Part Number	Description	List Price	Installed List Price
739317845	Light rack – 17 9/16" tall – Ford chassis		\$1,106
739317885	Light rack – 27" tall – Freightliner, Kenworth & International chassis		\$1,105
739317865	Light rack – 33" tall – Peterbilt & Hino chassis		\$1,368
560710106	Headache rack, Titan 38-85, 24 1/2" tall		\$2,159

# Titan 85 - 14' Body Accessories

Work Light Options			
Part Number	Description	List Price	Installed List Price
475300034	LED Work Light, square, 1600 lumens with bracket (use at rear of body & headache rack)	\$110	
475300037	LED Work Light, square, 1600 lumens (use with light rack)	\$57	
716861000	Install work lights (Add to part number above)		Add \$225

Hand Rail Option (See pictures in next section)			
Part Number	Description	List Price	Installed List Price
560545004	Hand rail, from top left rear of body to bumper	\$470	
772061018	Install hand rail (Add to part number above)		Add \$173

E-Track			
Part Number	Description	List Price	Installed List Price
739098020	E-Track, 2 rows, 2 sides		\$1,464.00

Master Locking Systems			
Part Number	Description	List Price	Installed List Price
760570000	Master lock system stainless/steel – 58” full length Installed		\$1,702

Titan Trax Struts Mounting Plates			
Part Number	Description	List Price	Installed List Price
739185037	Mounting plate, RC40 compressor		\$624
739185055	Mounting plate, AC40 and RS80 compressor		\$609
739185056	Mounting plate, RS85 compressor		\$538
739185057	Blank plate mounting kit, Titan 38-85		\$673
739185065	Mounting plate, EnPak and reservoir		\$1,376
739185070	Mountng plate, Vanair I300		\$1,283
739185075	Mounting plate, VMAC H40		\$483
739185088	Mounting plate, Miller Bobcat and Trailblazer		\$481

Body Installation Kits			
Part Number	Description	List Price	Installed List Price
560581000	Body installation kit	\$212	

# Titan 85 - 14' Body Accessories

Bodies

Body Installation Charge (to be used with Titan Connect)			
Part Number	Description	List Price	Installed List Price
716870100	Install body on Class 6 & 7 chassis, includes mudflaps (Add to body part number if upfit at factory)		\$4,943

Body Installation Charge (when Titan Connect is not used)			
Part Number	Description	List Price	Installed List Price
716851001	Install body on Class 5 and below chassis, includes mud flaps (Add to body part number if upfit at factory)		\$6,934

Crane Installation Charges			
Part Number	Description	List Price	Installed List Price
750678000	Install EC-2X, EHC-3.2, or EHC-4 crane (Add to crane part number if upfit at factory)		\$936
750679000	Install hydraulic crane (Add to crane part number if upfit at factory)		\$1,433
360870000	Install EHC-5 or EHC-6 crane - includes battery and battery box (Add to crane part number if upfit at factory)		\$1,543

Equipment			
Part Number	Description	List Price	Installed List Price
750831000	ICC safety kit (Complies with FMVH Safety Standard No. 125, Sec. 571.125)	\$90.75	
750061000	Fire extinguisher (Complies with FMCS Regs. Sec. 393.95 – classification 2 – A:10-B:C unit)	\$174	
750681000	Backup safety alarm		\$330

PTO (For Factory Intalls Only)			
Part Number	Description	List Price	Installed List Price
736997000	PTO and installation for an automatic transmission		\$5,128
736998000	PTO and installation for a manual transmission		\$4,150

Spring Reinforcement			
Part Number	Description	List Price	Installed List Price
736995001	Spring reinforcement		\$2,358
738752115	Spring reinforcement, additional side		\$1,176

# Titan 85 - 14' Body Accessories

Bodies

Hydraulic Reservoirs			
Part Number	Description	List Price	Installed List Price
751095070	36-gallon bulkhead reservoir to fit inside 50" wide cargo area with return filter and sight gauge	\$1,526	

Hydraulic Installation Kits			
Part Number	Description	List Price	Installed List Price
760485001	Hose kit for Titan 85	\$1,516	
560588010	Priority flow valve w/ relief for Ford Class 6-7 (Add to hose kit part number if upfit at factory on a Ford Class 6-7 chassis)	\$1,090	
738489000	Install hydraulic components (Add to hose kit part number if upfit at factory)		Add \$1,518

Wiring Harness (select when Titan Connect is not used)			
Part Number	Description	List Price	Installed List Price
560106003	Wiring harness	\$884	

Speed Control (when Titan Connect is not used)			
Part Number	Description	List Price	Installed List Price
717535000	Relay Box Assembly	\$1,400	
716893001	Install relay box (Add to relay box assembly part number if upfit at factory)		Add \$1,471
717515000	Power Switch Control Panel Assembly	\$646	
716893002	Install control panel (Add to control panel assembly part number if upfit at factory)		Add \$1,031
717514000	Stand for Control Panel (include with above part number if mounting in cab of chassis)	\$384	

Titan Connect			
Part Number	Description	List Price	Installed List Price
475301371	Titan Connect, Kit, 14' bodies (comes with harness and keypad)	\$5,017	
475301360	Titan Connect, Kit, 14' bodies, Installed (Includes above part number)		\$7,041
475300361	Dealer Titan Connect kit (each upfit facility will need one of these for the programming of Titan Connect)	\$1,622	

# Titan 85 - 14' Body Accessories

Compressor Adapter Harness (select with Titan Connect)			
Part Number	Description	List Price	Installed List Price
755501013	Adapter harness for RC40 compressor	\$98.75	
475300367	Adapter harness for RC40-L compressor	\$67.75	
475300046	Adapter harness for VMAC	\$604	
475300367	Adapter harness for RS85	\$67.75	

Additional Keypad for Cab (used with Titan Connect)			
Part Number	Description	List Price	Installed List Price
475301356	Additional Keypad and mount for cab	\$708	

Chassis Adapter Harness (select with Titan Connect)			
Part Number	Description	List Price	Installed List Price
475301355	Adapter harness, tail light, Freightliner	\$115	
475301380	Adapter harness, tail light, Peterbilt & Kenworth	\$389	
475300366	Adapter harness, tail light, Mack	\$102	
475301357	Adapter harness, tail light, International	\$162	
475301358	Adapter harness, tail light, Ford Class 6-7	\$189	

Power On-Demand (used with Titan Connect only)			
Part Number	Description	List Price	Installed List Price
475300365	Power On-Demand		\$2,100



## Titan Connect™

Available now on the Titan 38-11', Titan 60-11', Titan 60-14', and Titan 85-14' bodies.

### - Consistent and faster installation

Allows troubleshooting no matter who builds truck

### - 4 Harnesses, Keypad, PDM, E-Stop, Brackets and Hardware

#### - Harness

Plug and go connections

Faster installs

Labeled - Tells location and function

Nylon Braided Loom

Better abrasion protection

Pre-wired circuits with connectors

Standard connections for crane, work lights, strobe lights, compressor, PTO or auxiliary power unit

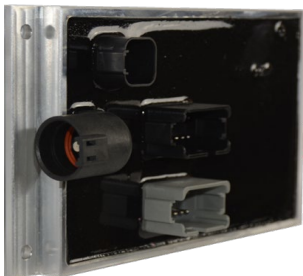


#### - Keypad

Rubberized, Glove-Friendly Keypad



#### - PDM



**\*\*Titan Connect is for HC model cranes only**

## Power On Demand™

(Must have Titan Connect)

- **System automatically runs truck engine and PTO**

Starts engine and PTO based on demand

Idles up and starts PTO automatically

Shuts-down PTO and engine if no demand

Insures Productivity, Fuel and Maintenance Cost Savings

- **Lower Fuel and Maintenance Costs**

Optimized engine and PTO operation

Fuel savings

- **Lengthen Lifecycle of Assets**

Longer chassis, power source life

Better PM and service scheduling

- **Tighten Metric Control**

Lower acquisition costs, operating costs

- **Increase Productivity**

Streamline job tasks

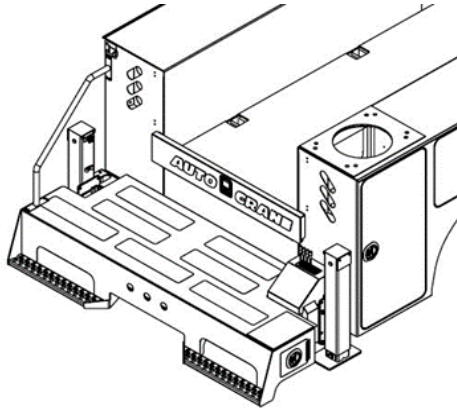


*Patent Pending*

## Accessory Pictures

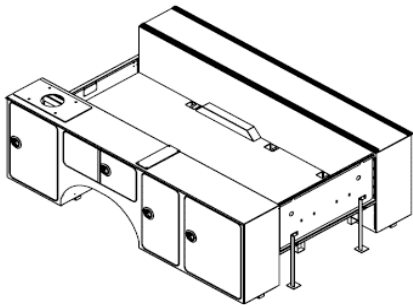
### Hand Rails

560545004  
(For 30" bumpers only)



### Titan Trax

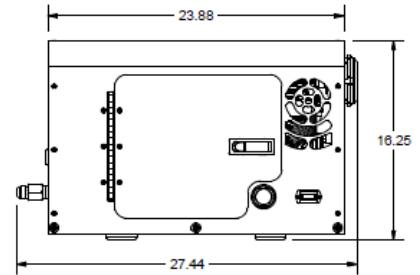
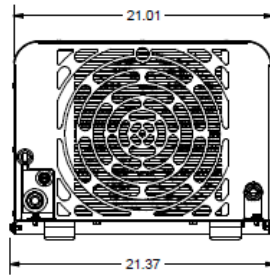
715330020



# Compressors

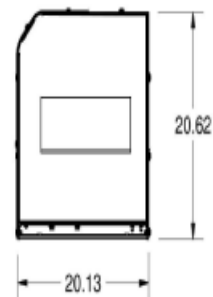
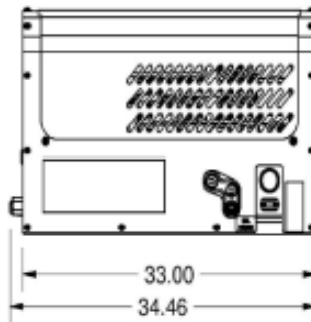
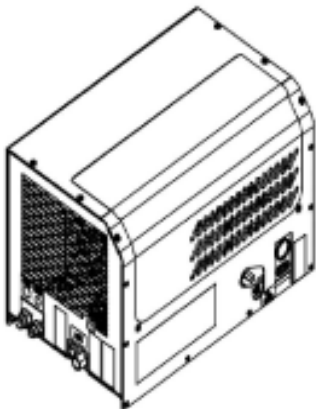
## Reciprocating Air Compressor

Part Number	Description	List Price	Installed List Price
755501000	AC40 hydraulic compressor delivers 40 cfm @ 100 psi (Approximate weight is 200 lbs.)	\$7,458	
739188057	AC40 mounting kit installed		\$330
739185055	Titan Trax mounting plate for AC40 compressor (must have Titan Trax Titan 38 - 85 struts installed)		\$609
755499000	Install air compressor (Add to air compressor part number above)		Add \$675



## Rotary Screw Air Compressor

Part Number	Description	List Price	Installed List Price
755504000	RS80 rotary screw air compressor, generates 80 cfm @ 100 psi (Approximate weight is 300 lbs.)	\$11,098	
755504002	RS80 mounting kit installed		\$342
739185055	Titan Trax mounting plate for RS80 compressor (must have Titan Trax Titan 38 - 85 struts installed)		\$609
755499000	Install air compressor (Add to air compressor part number above)		Add \$675



# Miller

Miller EnPak			
Part Number	Description	List Price	Installed List Price
739186003	Miller EnPak A60GBHW Generator Battery Charge Hydraulics Welding Chassis Power (907815)	\$59,980	
739186004	Miller EnPak A60GBH Generator Battery Charge Hydraulics Chassis Power (hydraulic power but no welder) (907814)	\$52,106	
739186005	Miller EnPak A60GB Generator Battery Charge Chassis Power (no hydraulic power or welder) (907813)	\$49,943	
739188093	20 gallon hydraulic reservoir tank for EnPak (300550)	\$3,624	
739188095	Adapter, NexStar wireless remote (300772)	\$631	
739188066	EnPak and reservoir mounting kit		\$860
739185065	Titan Trax mounting plate for EnPak and reservoir (must have Titan Trax Titan 38 - 85 struts installed)		\$1,376
716861500	Install EnPak A60 (Add to EnPak part number above)		Add \$3,025

EnPak A60



739188099



# Vanair

Vanair			
Part Number	Description	List Price	Installed List Price
755503001	Vanair RS85 Rotary Screw Air Compressor with analog display (051945)	\$14,824	
739188122	Vanair RS85 mounting kit		\$410
739185056	Titan Trax mounting plate for Vanair RS85 (must have Titan Trax Titan 38 - 85 struts installed)		\$538
601106005	Vanair Pro 35 (35 CFM @ 100 PSI, 30 gallon)	\$6,378	
739185036	Vanair Pro 35 mounting kit (for the 601106005 compressor mounted on the Titan 16 body)		\$655
739185109	Titan Trax mounting plate for Pro 35 (must have Titan Trax Titan 16 struts installed)		\$680
755501001	Vanair RC40, reciprocating air compressor	\$9,989	
739188059	Vanair RC40 mounting kit		\$369
739185037	Titan Trax mounting plate for RC40 (must have Titan Trax Titan 38 - 85 struts installed)		\$624
755505001	Vanair RS45 compressor	\$10,681	
560626075	Vanair RS45 mounting kit		\$304
755499000	Install air compressor (Add to air compressor part number above)		Add \$675

755501001



601106005



## Accessories

Air Filter, Regulator, Lubricator <a href="https://autocrane.us/product/norgren-air-fr1/">https://autocrane.us/product/norgren-air-fr1/</a>			
Part Number	Description	List Price	Installed List Price
750682000	Air filter, regulator, lubricator (Includes installation)		\$1,071

Hose Reels			
Part Number	Description	List Price	Installed List Price
750635000	Hose reel installed with 50 ft. of 1/2" hose with rear exit and air hose guide (for crane box only)		\$1,681
750213008	Hose reel installed with 50 ft. of 1/2" hose with rear exit and air hose guide (for left rear compartment only)		\$1,681

Air Receiver Tanks			
Part Number	Description	List Price	Installed List Price
475400015	20 Gallon in-frame air tanks -2 tanks, 10 gallons each (For use on the Titan 38 body only)	\$2,873	
475400010	Install dual in-frame air tanks (Add to part number above)		Add \$844
475400016	10 Gallon in frame air tank (For use on the Titan 38 body only)	\$1,388	
475400011	Install single in-frame air tank (Add to part number above)		Add \$482
751220000	30-gallon under-chassis mount receiver tank, connecting hoses and hardware. Overall dimensions: 26" x 20" x 20" (Mounts at the rear of the chassis between the frame rails (Titan 50, 60, and 70 bodies)	\$1,449	
716873000	Install air receiver tank (Add to part number above)		Add \$506

# Welders

Miller Welders			
Part Number	Description	List Price	Installed List Price
760710360	Miller Bobcat 265, Kohler Gas Welder - (907826)	\$12,635	
739185196	Miller Trailblazer 330 Gas, EFI with CHG/JMP & EXL Power - Wireless Interface Control - (907832004)	\$21,633	
739185015	Bracket weldment, welder (Installed rear of body opposite crane box)		\$266
739185016	Bracket weldment and mounting plate for Miller Bobcat		\$671
739185088	Titan Trax mounting plate for Miller Bobcat/Trailblazer welder (must have Titan Trax Titan 38 - 85 struts installed)		\$481
601109002	Install welder (Add to welder part number above)		\$652

760710360



739185196





## Warranty

### Service Cranes (Limited Warranty, 2 Year Parts and Labor)

Auto Crane will warranty to the consumer for a period of (2) years parts and labor from the date of purchase. Each new Auto Crane unit they sell will be free under normal use and service from defects in material and workmanship. Date of purchase will be honored as the date indicated on the Bill of Sale, which must accompany the Warranty Registration and be on file with Auto Crane. Absent a valid Warranty Registration and appropriate documentation, the original date of manufacture, as indicated by the serial number on the product, will be used to determine the effective date of the 2 year warranty.

The obligation of Auto Crane under this warranty is limited to the replacement or repair of parts that appear to the manufacturer after review and/or inspection to be defective and paid flat rate labor for replacing defective parts. This warranty does not obligate Auto Crane to bear the travel time charges in connection with the replacement or repair of defective parts. Responsibility for customer's claims arising from misapplication, abuse, misuse or alteration of equipment or parts lies with the distributor or user and no warranty obligation is assumed in these circumstances by Auto Crane.

Auto Crane will in no event be liable for any consequential damages or contingent liabilities arising out of the failure of any Auto Crane Product or parts to operate properly.

Auto Crane makes no warranty in respect to component accessories, it being subject to the warranties of their respective manufacturers.

If field service, at the request of the distributor, is rendered and fault is found not to be with Auto Crane's product, the distributor shall pay the time and expense of the field representative.

Claims for service labor or other expenses that have incurred by the buyer without approval or authorization or Auto Crane will not be accepted.

### Crane Bodies (5 Year Limited Body Warranty)

Covered Products:

- Auto Crane Service Bodies -- no rust-thru guarantee to the first owner/user or record for five (5) years from the date of purchase.
- Door Hinges -- Guarantee the hinges will not fail to operate or come off the product, to the first owner/user of record for five (5) years from the date of purchase.

Eligibility:

- Product(s) warranted must be properly maintained and serviced under the guidelines recommended in the Owner's Manual.
- The selling distributor must file for the first owner/user the application for warranty by completing the delivery report form enclosed in the Owner Manual within 30 days of the product purchase date. The complete delivery report form must be forwarded to Auto Crane Company. The warranty agreement issued is not transferable.
- Product(s) that have been misused or damaged, inclusive of, but not limited to, accidents.

## Warranty

### Exclusions:

- Warranty applies to the Auto Crane bodies only and excludes all options, modifications and alterations.
- Paint required following repairs or replacement of parts under warranty after the first year from the date of delivery.
- Product(s) that have been misused or damaged, inclusive of, but not limited to, accidents.
- Absent a completed and valid delivery report form, the original date of manufacture will be used as the effective date for the limited warranty.

### Specific Non-Rust-Thru Warranty Exclusions:

- Product(s) that have been used to carry corrosive materials, where such materials result in rust-thru conditions.
- Product(s) purchased by the first owner/user in prime paint condition.
- Consequential damages including, but not limited to, transportation costs, lost profit and loss of income, as a result of a vehicle being out of service.
- Product(s) purchased and used outside the U.S.A. or Canada.

## Applying for Warranty

- Claims may be handled by contacting your nearest authorized Auto Crane Distributor. All claims are to be filed in writing on an Auto Crane Warranty Claim Form.
- The Auto Crane Company reserves the sole right to inspect item(s) claimed for warranty and decide the best way to handle any and all claims, including the replacement or repair of the warranted part.
- Should the warranted product rust thru, the hinges fail to operate or come off the product, Auto Crane will pay the cost of parts and flat rate labor to repair or replace as necessary the defective component. NOTE: Paint following repair or replacement of a part is exclusive under warranty after the first year from date of delivery.
- DEFECTS FROM MANUFACTURING WORKMANSHIP AND/OR MATERIAL NOT SPECIFIED ABOVE WILL BE SUBJECT TO WARRANTY INCLUSIVE OF MATERIALS AND LABOR TO THE FIRST OWNER/USER OF RECORD FOR TWO (2) YEARS FROM THE DATE OF DELIVERY. Exclusions, as well as methods of applying for warranty remain the same as stated in the limited five (5) year warranty covered above.

AUTO CRANE COMPANY IS UNDER NO OBLIGATION TO EXTEND THIS WARRANTY TO ANY CUSTOMER FOR WHICH AN AUTO CRANE DELIVERY REPORT FORM HAS NOT BEEN COMPLETED AND ON FILE WITH AUTO CRANE COMPANY

## Titan Armor Warranty

# TITAN ARMOR PAINT WARRANTY PERTINENT INFORMATION

Auto Crane has introduced a new surface coating package with Industry leading corrosion protection called Titan Armor. The technology used in this adaption to trucks has been proven in the marine and industrial applications for decades. Titan Armor differs from the standard Auto Crane paint product in a few areas;

- Standard paint warranty for surface rust is 2 years from date of service. Titan Armor's is a 5 year surface rust and 15 year rust through warranty, by far the best in the industry.
- Paint materials are different.
- Titan Armor is a marine based industrial product rather than an automotive product, thus the gloss and surface texture may be a little less than normal and will not be automotive finish smoothness/aesthetic.

This warranty starts with the date of purchase as indicated on the Bill of Sale to the original purchaser, which must accompany a Warranty Registration submitted online at [www.autocrane.com](http://www.autocrane.com) within 30 days of sale. Absent a copy of the bill of sale to the original owner, the manufacture date (as specified by the product SN) will be used for the warranty start date. This warranty is granted to the original purchaser only and is not transferrable. This warranty covers repair of defective paint areas only.

The dealer must contact Auto Crane for materials and repair instructions that will preserve the integrity of the paint system. Failure to use these materials and procedures for Titan Armor paint repairs will void the Titan Armor warranty. All repair quotes must be itemized to include parts/materials, labor hours and rate, and any freight charges. Any repairs should be completed with Auto Crane part numbers supplied for paint touch up, repair, or any warranty measures. All warranty repairs are at the discretion of Auto Crane and must be pre-approved/authorized before work is completed.

### Limitations:

- Auto Crane will in no event be liable for any consequential damages or contingent liabilities arising out of the warranty of Titan Armor
- Failure by the owner to perform proper maintenance in accordance with the product manual may void this warranty
- Documentation may be required showing preventative maintenance activities

## Titan Armor Warranty

### Exclusions:

- Sale from original owner to secondary owner
- Normal wear and tear or external damage to the paint (dents, chips, accidents, corrosive chemical attack to the paint, improper repair or storage, improper maintenance or lack of cleaning)
- Improper sanding or paint prep upon refurbishment of original paint applied to originally sold body
- Problems caused by customer or dealer applied components or decals or from storage
- Use of the product outside the United States and Canada
- Travel time or cost (including pickup/delivery), diagnostic time, loss of use, overtime charges, expedite or miscellaneous fees, third-party or customer repairs, etc.
- Responsibility for customer's claims arising from misapplication, abuse, misuse, or alteration of equipment or parts lies with the dealer or user and no warranty obligation is assumed in these circumstances by Auto Crane
- Replacement of dealer or customer supplied items and decals (which are the responsibility of the customer or dealer)

Warranty decisions by Auto Crane are final and Auto Crane reserves the right to coordinate and complete the repair directly with the customer. This warranty specifies the full and complete obligation by Auto Crane and may not be modified or amended by any person or entity. All claims are to be filed in writing on an Auto Crane Warranty Request form with supporting documentation as necessary.

Define: **Surface rust** – rust as a result of paint degradation NOT due to impact peeling paint, scratch or damaged to bare metal surface, etc. OR Auto Crane warrants that the Titan Armor will not fail due to blistering, adhesion or surface rust for five (5) years

**"Rust Through"** is defined as a hole rusted through the body metal.

The logo for Titan Armor, featuring the word "TITAN" in a large, bold, italicized, metallic font, followed by the word "ARMOR" in a smaller, bold, metallic font.



A Ramsey Industries Brand