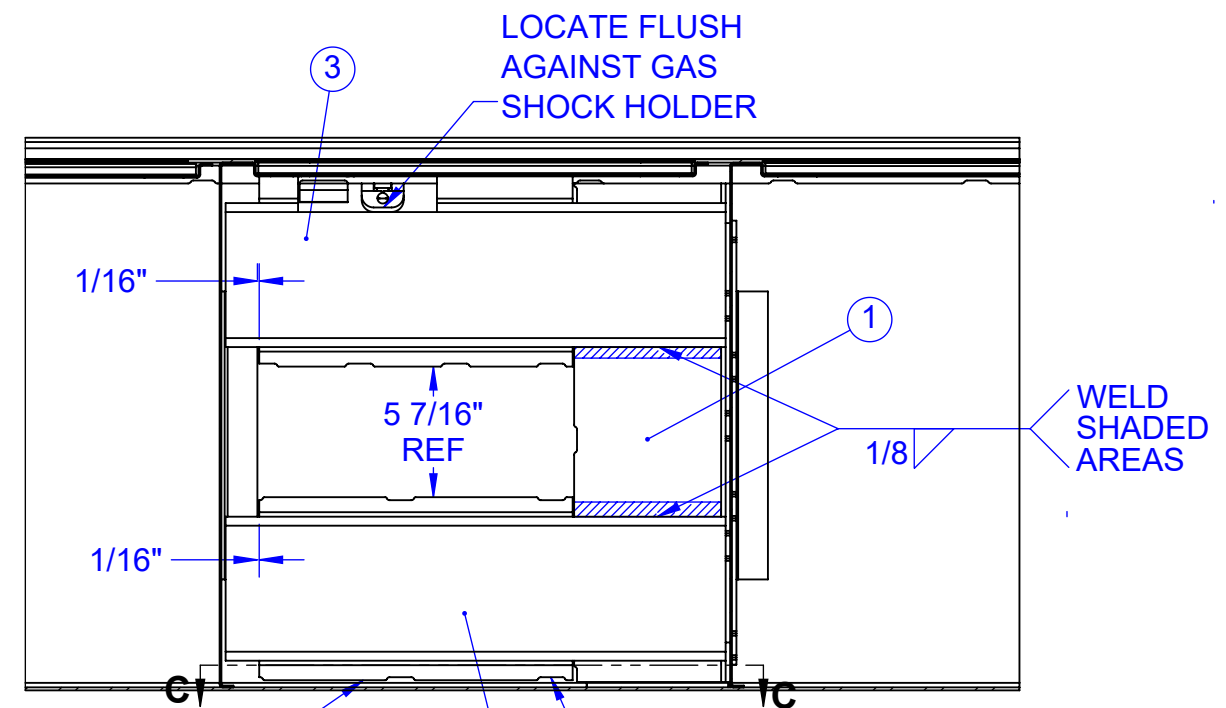


WELD: MINIMUM YIELD 36,000 PSI

SECTION D-D

WELDMENT VIEW



LOCATE FLUSH WITH INSIDE OF COMPARTMENT

LOCATE FLUSH AGAINST GAS SHOCK HOLDER

WELD SHADED AREAS

TYP ALL NOTCHES

SECTION B-B

INSTALL COMPONENTS IN MID COMPARTMENT ON CRANE SIDE
TITAN 38 84CA STD BODY SHOWN AS REFERENCE

NOTE:
1. INLCUDE 715068049 MANUAL PAGES WITH KIT

NOTES	BOM REVS	ITEM NO.	QTY	PART NUMBER	DESCRIPTION
		1	1	715068014	PANEL, BOOM SUPPORT REINFORCEMENT, T38 STD
		2	1	715068013	CHANNEL, BOOM SUPPORT REINFORCEMENT, T38 STD
	B	3	1	715068018	CHANNEL, BOOM SUPPORT REINFORCEMENT W/CUTOUT
		4	1	715068006	ANGLE, BOOM SUPPORT REINFORCEMENT
	D	5	1	715068037	PLATE, REINFORCEMENT, 18.5" X 9.15" RETRO
1	D	6	1	715068049	MANUAL, TITAN 38 84CA STD REINFORCEMENT, INSTALLATION

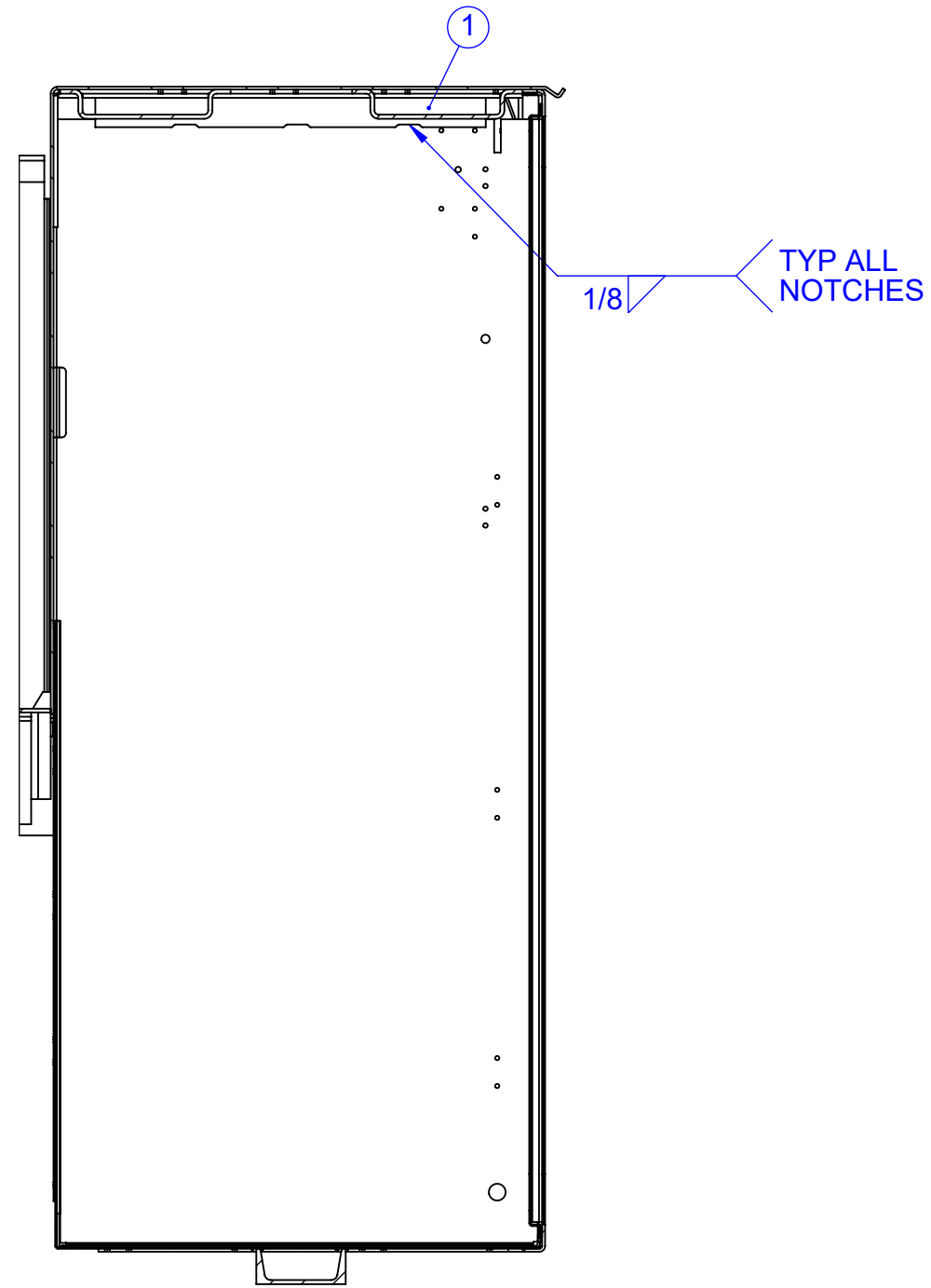
ECN#	REV.	DESCRIPTION	DATE	BY
700300	D	ADDED 715068037 & 715068049 AND NOTE. REMOVED 715068019	1/20/2020	CDS
700245	C	CHG'D DESCRIPTION TO INCLUDE "T60"	11/12/2019	DBA
34047	B	ADDED 715068018 & 715068019. ADDED RELEVANT DIMENSIONS. ADDED PG. 2	8/9/2019	CDS
33733	A	PRODUCTION RELEASE	2/14/19	CDS
		REVISIONS		

UNLESS OTHERWISE NOTED ALL DIMENSIONS ARE IN INCHES.
TOLERANCES UNLESS OTHERWISE SPECIFIED:
.X ± .060
ANGLES ± 1/2° .XX ± .030
FRACTIONAL ± 1/16 .XXX ± .010
REMOVE ALL BURRS AND SHARP EDGES. DO NOT SCALE THIS DRAWING.
TOLERANCES NOT SHOWN ABOVE ARE PER ANSI Y14.5-1973
THIS PRINT IS THE PROPERTY OF AUTO CRANE CO. AND MUST NOT BE USED IN ANY MANNER DETRIMENTAL TO THEIR INTERESTS.

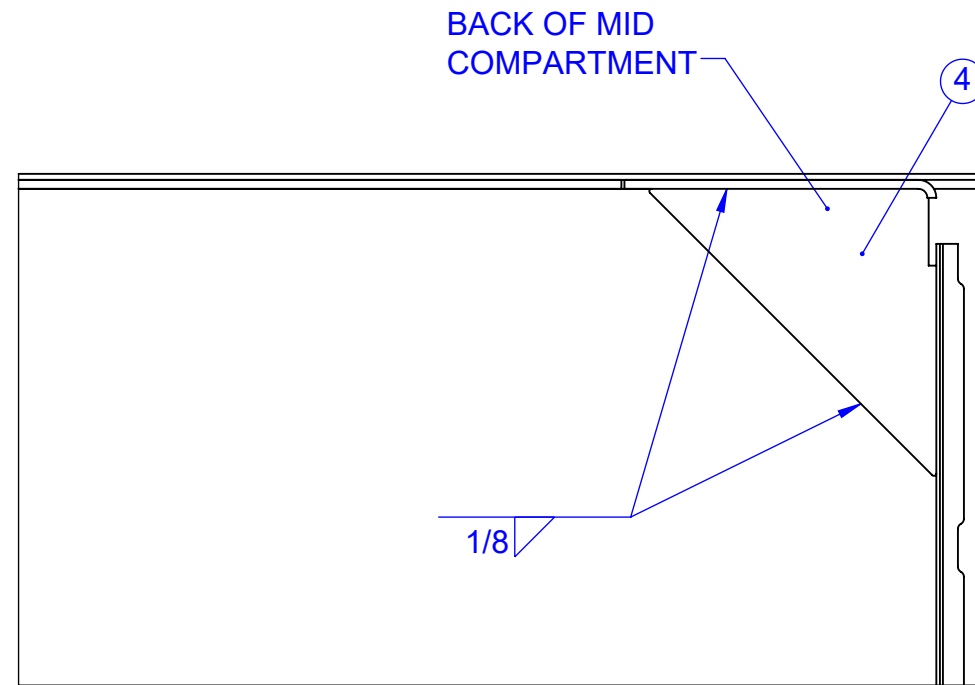
AUTO CRANE
4707 NORTH MINGO ROAD
P.O. BOX 580697
TULSA, OKLAHOMA 74158-0697
918-836-0463

WELDMENT, BOOM SUPPORT REINFORCEMENT, T38/T60 STD

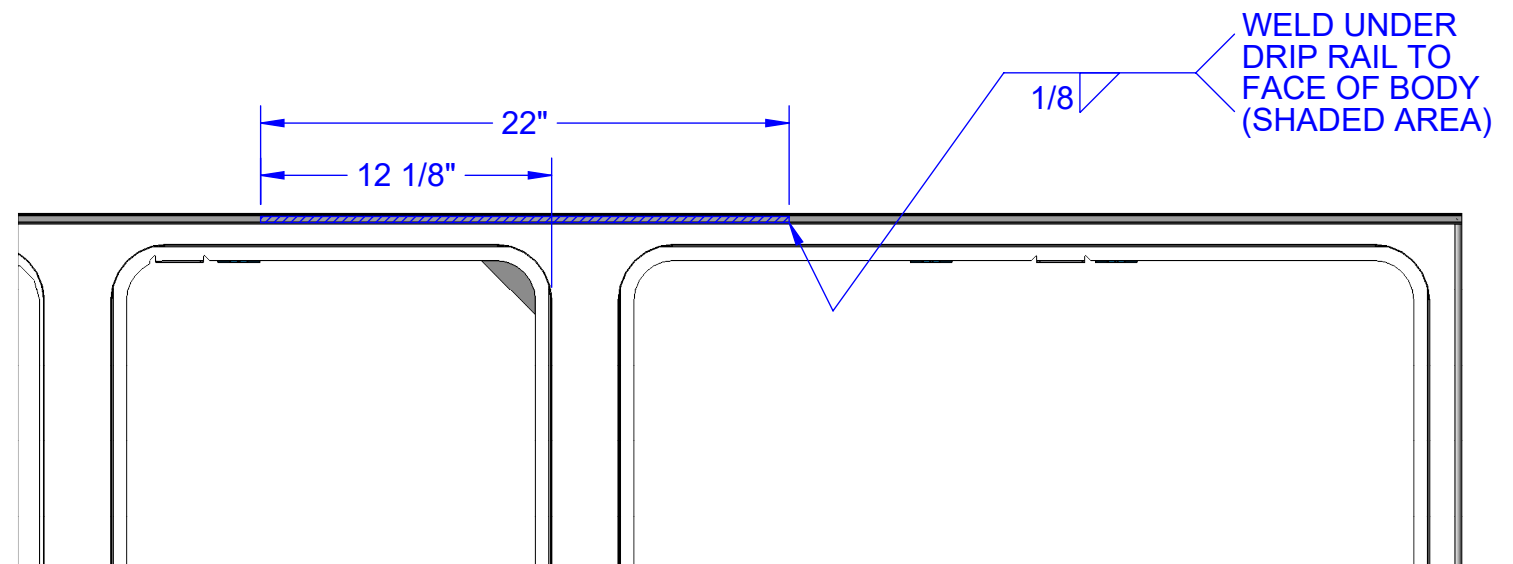
DRAWN BY	DATE	SIZE	DRAWING NO.	REV
CDS	2/14/19	B	715068015	D
SCALE: DO NOT SCALE DRAWING	WEIGHT	SHEET		
	37.23 LBS	1 OF 2		




SECTION A-A



SECTION C-C



RIGHT SIDEPACK ONLY

		TITLE WELDMENT, BOOM SUPPORT REINFORCEMENT, T38/T60 STD			
		DRAWN BY CDS	DATE 2/14/19	SIZE B	DRAWING NO. 715068015
THIS PRINT IS THE PROPERTY OF AUTO CRANE CO. AND MUST NOT BE USED IN ANY MANNER DETRIMENTAL TO THEIR INTERESTS.		SCALE: DO NOT SCALE DRAWING	WEIGHT 37.23 LBS	SHEET 2 OF 2	