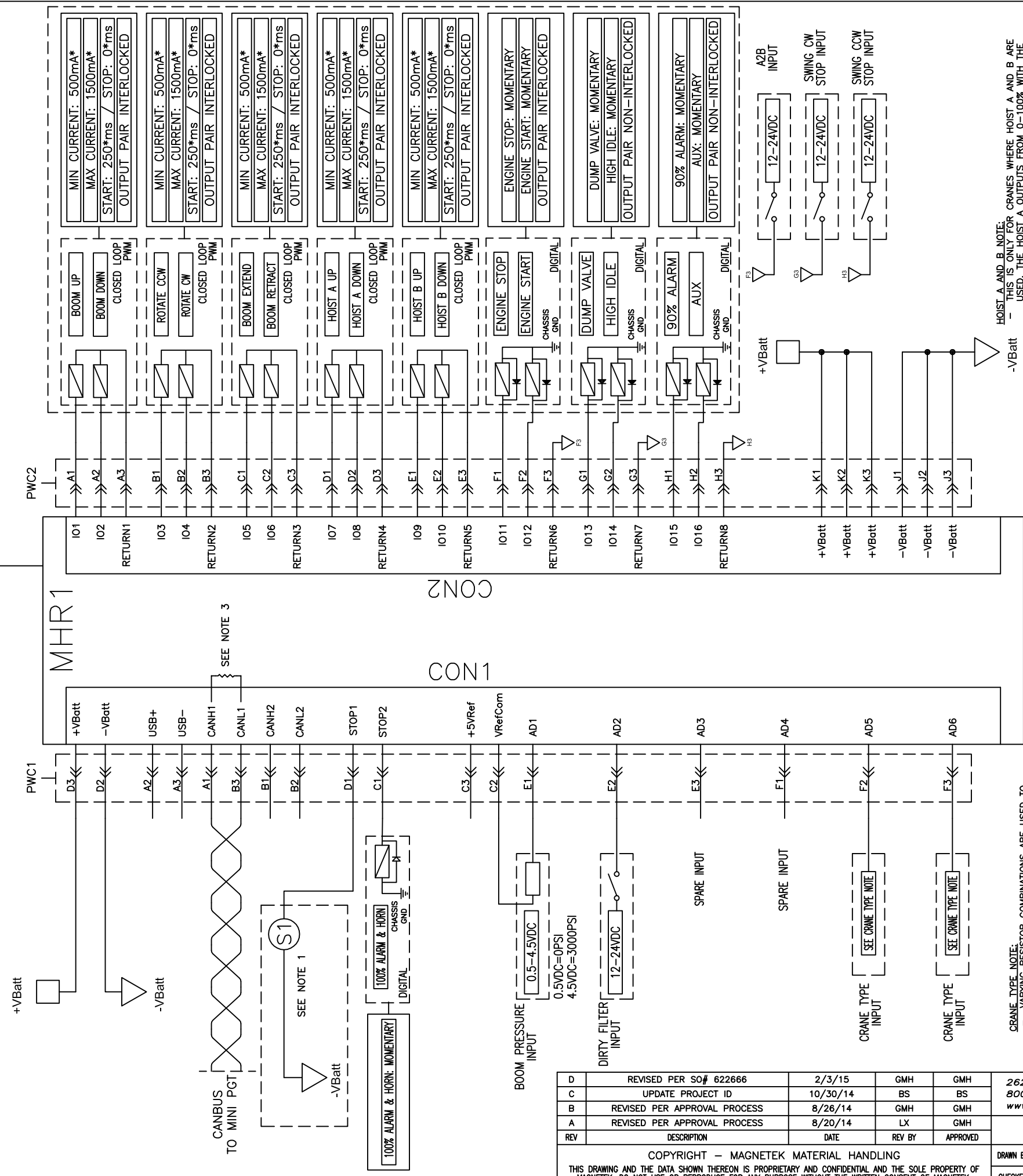
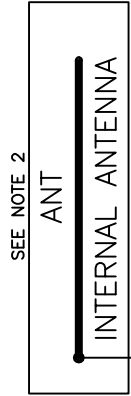
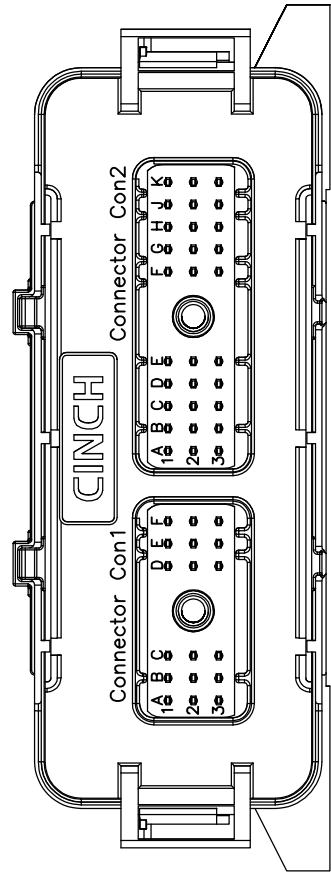
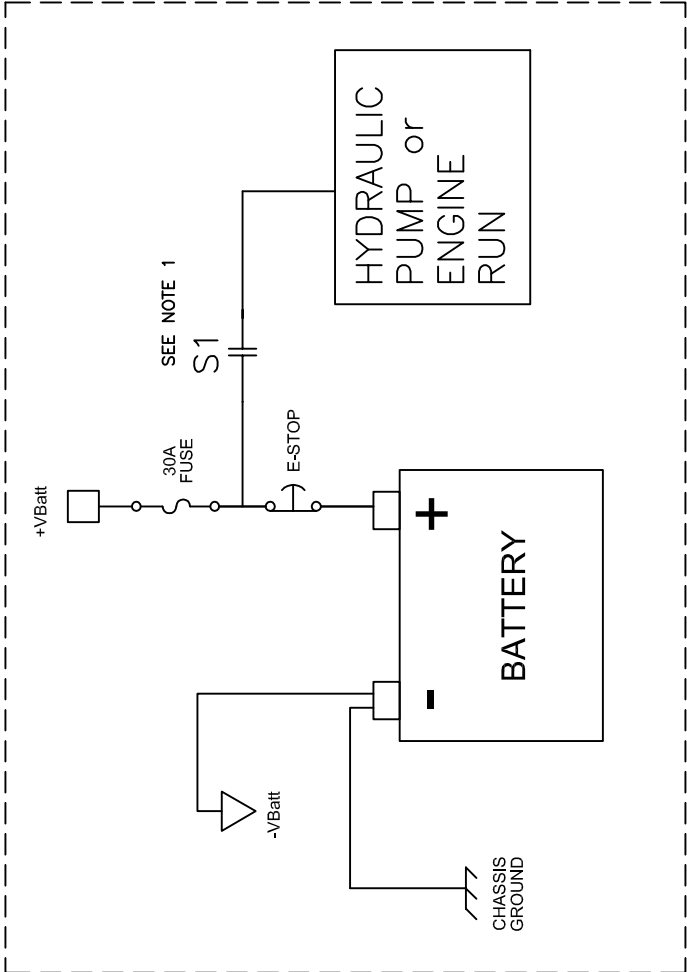


OPERATING FREQUENCY: 100HZ*



CRANE TYPE NOTE:
 - VARYING RESISTOR COMBINATIONS ARE USED TO PROVIDE DIFFERENT CRANE IDENTIFICATION.

HOIST A AND B NOTE:
 - THIS IS ONLY FOR CRANES WHERE HOIST A AND B ARE USED. THE HOIST A OUTPUTS FROM 0-100% WITH THE HOIST JOYSTICK ACTIVE FROM 0-80% AND THE HOIST B OUTPUTS FROM 0-100% WITH THE HOIST JOYSTICK ACTIVE FROM 50-100%.
 DUMP VALVE NOTE:
 - THIS OUTPUT WILL TURN ON WHENEVER A PWM OUTPUT IS ACTIVE.
 90% AND 100% ALARM NOTE:
 - REFER TO USER SPREADSHEET.
 HOURS METER NOTE:
 - THE MHR WILL INCLUDE AN HOURS METER THAT WILL TRACK THE TIME THAT THE MHR SYSTEM IS "ON" - DEFINED BY THE AMOUNT OF TIME THE DUMP VALVE OUTPUT IS ACTIVE.

*NOTE:

THE UNIT WAS SHIPPED OUT WITH THE OPERATING FREQUENCY AND OUTPUT SETTINGS AS SHOWN.
 THE CUSTOMER WILL NEED TO ADJUST THE SETTINGS IN THE FIELD AS NEEDED.

NOTES:

- 1.) MAGNETEK RECOMMENDS INSTALLING EXTERNAL STOP RELAY AS SHOWN.
- 2.) SET FOR INTERNAL ANTENNA.
- 3.) ENABLE TERMINATING RESISTOR.

D	REVISED PER SO# 622666	2/3/15	GMH	GMH
C	UPDATE PROJECT ID	10/30/14	BS	BS
B	REVISED PER APPROVAL PROCESS	8/26/14	GMH	GMH
A	REVISED PER APPROVAL PROCESS	8/20/14	LX	GMH
REV	DESCRIPTION	DATE	REV BY	APPROVED

262-783-3500
 800-288-8178
 www.magnetekmh.com

MAGNETEK
 MATERIAL HANDLING

Power Control Systems

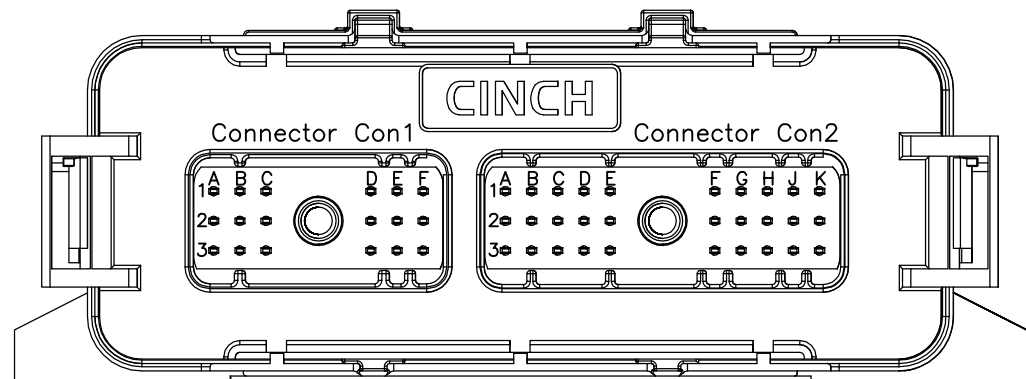
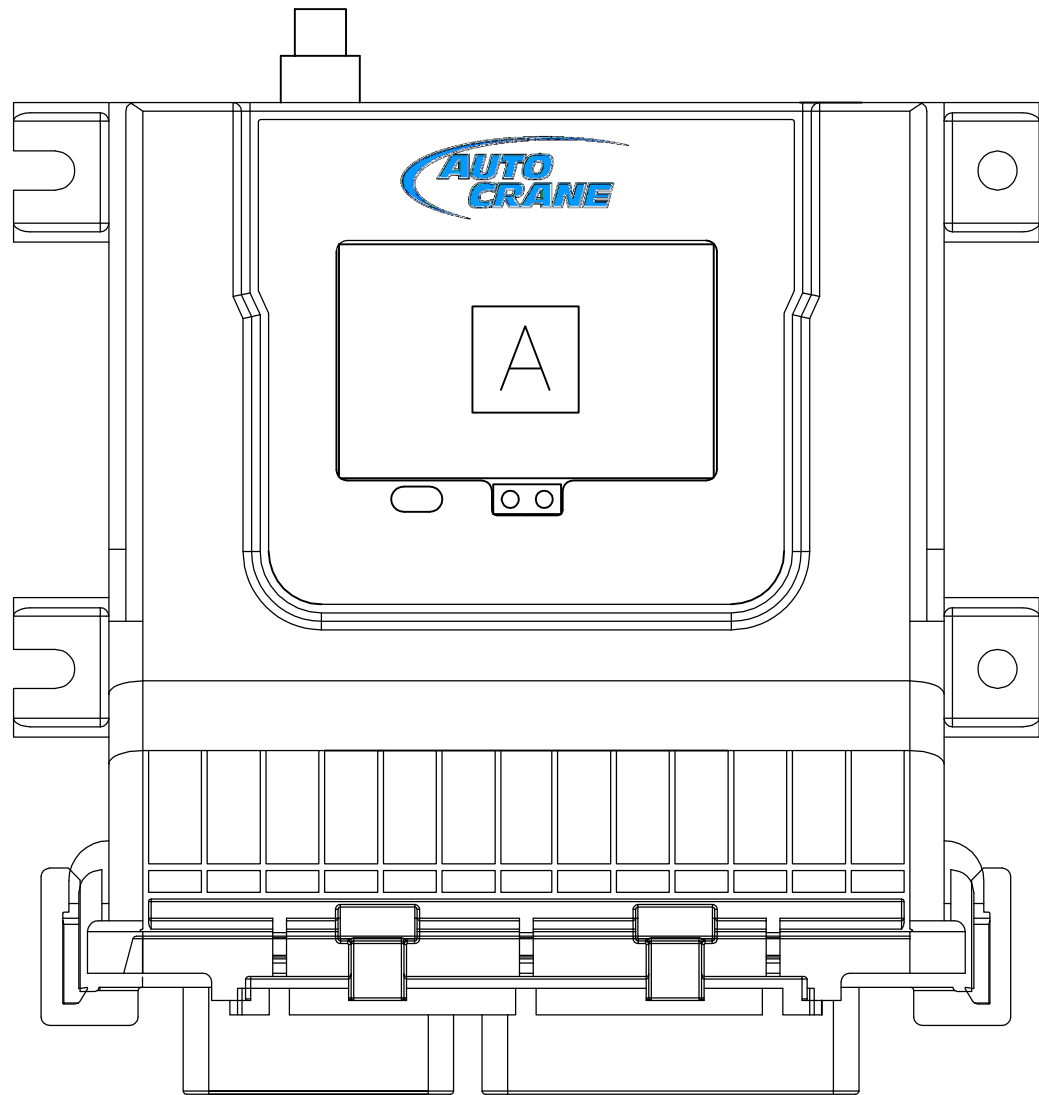
ENGINEERED MHR RX I/O LAYOUT

PART NUMBER 195-51940-2000


DRAWN BY LX DATE 6/20/14 DESCRIPTION ENGINEERED MHR RX I/O LAYOUT
 CHECKED GMH APPROVED GMH DRAWING # 195-51940-2000 PAGE 1 OF 2

COPYRIGHT - MAGNETEK MATERIAL HANDLING
 THIS DRAWING AND THE DATA SHOWN THEREON IS PROPRIETARY AND CONFIDENTIAL AND THE SOLE PROPERTY OF MAGNETEK. DO NOT USE OR REPRODUCE FOR ANY PURPOSE WITHOUT THE WRITTEN CONSENT OF MAGNETEK.

DEVID	QTY	DESCRIPTION
A	1	MHR RECEIVER 2.4GHz 50mW - AUTOCRANE P/N 195-51940-2100
	1	ENGINEERED MHR MANUAL (NOT SHOWN) P/N 195-50488-0100



PROJECT
NUMBER
51940

				262-783-3500 800-288-8178 www.magnetekmh.com		 MAGNETEK MATERIAL HANDLING		Power Control Systems		
B	REVISED PER APPROVAL PROCESS	8/26/14	GMH	GMH	MHR RECEIVER LAYOUT				PART NUMBER 195-51940-2000	
A	REVISED PER APPROVAL PROCESS	8/20/14	LX	GMH						
REV	DESCRIPTION	DATE	REV BY	APPROVED						
COPYRIGHT - MAGNETEK MATERIAL HANDLING					DRAWN BY	LX	DATE	6/20/14	DESCRIPTION	MHR RECEIVER LAYOUT
THIS DRAWING AND THE DATA SHOWN THEREON IS PROPRIETARY AND CONFIDENTIAL AND THE SOLE PROPERTY OF MAGNETEK. DO NOT USE OR REPRODUCE FOR ANY PURPOSE WITHOUT THE WRITTEN CONSENT OF MAGNETEK.					CHECKED	GMH	APPROVED	GMH	DRAWING #	195-51940-2000
									PAGE	2 OF 2