

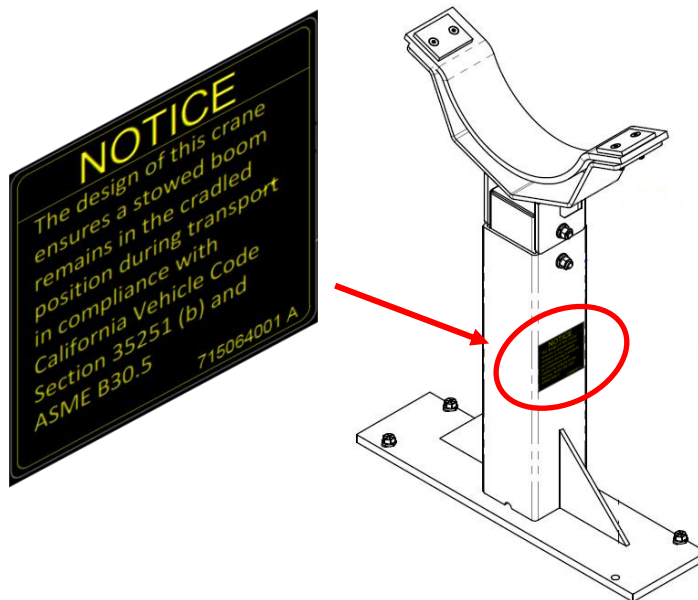
DATE: 6-Aug-2020  
TO: Auto Crane Dealers  
SUBJECT: **California Boom Stow Decal**

## Overview

This bulletin covers California Vehicle Code Section 35251 (b) for stowed booms.

## Directions

Auto Crane now provides an accessory decal as part of the ship kit for vehicles operating in California. Decal PN 715064001 is designed to be applied to the crane boom support and be visible from the ground to make inspectors aware that our cranes meet the code by meeting the ASME B30.5 standard.



**Directions:** clean the boom support area, remove the adhesive cover from the back of the decal, apply to the boom support, and remove the top protective cover.

For questions or concerns please contact Auto Crane's customer service group at 800.777.2760 or 918.438.2760.